

**SS**

Spray system



**ICETECH**  
ICE MAKERS



## Spray system



## General features

ICE TECH SS series are designed for the hospitality industry: bars, restaurants, pubs... incorporating innovative features.

ICE TECH SS gourmet full ice cube is the most desired ice cube either for the professional or consumer. Ideal to be used with soft drinks and spirits.

ICE TECH SS ice cubes melt very slowly, allowing customers to enjoy cool drinks longer.

AISI 304 Stainless Steel external high quality finishing with integrated door that improves machine cleanliness. HCFC free foam injected polyurethane for outstanding insulation, ICE TECH SS, machine will preserve the consistency and the quality of the ice produced, longer than any other machine.

All parts in contact with water have been designed in order to minimize their friction and to ensure maximum surface tension, reducing substantially the sound level.

## Technical features / Operating limits

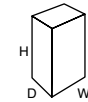
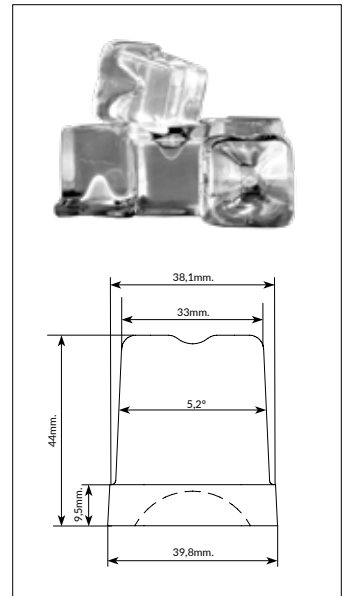
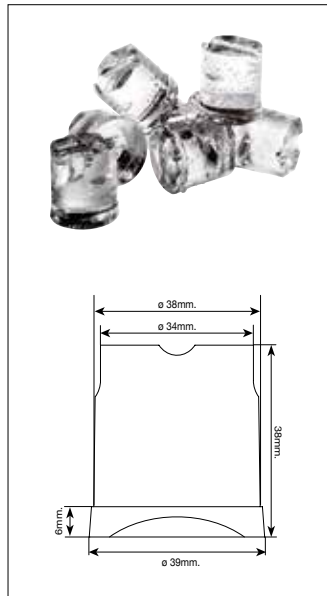
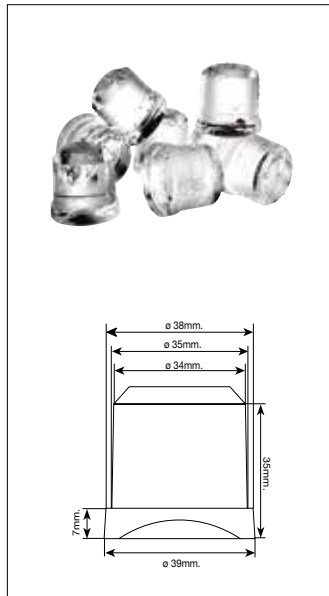
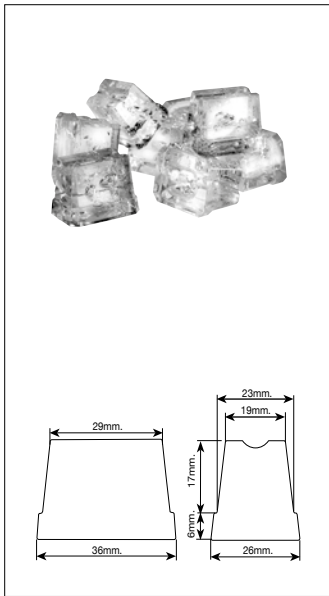
Ice Cube	S 14gr. / M 22gr. / L 34gr. & 40gr.
Body	AISI 304 Stainless Steel.
Spray system	With special flexible spray nozzles ICE TECH patented and designed to prevent the calcareous buildup.
Electromechanical control	SS150
Electronic control	SS25, SS35, SS45, SS60, SS80, SS135, SS400
Switch	External On/Off switch.
Tropicalized machines	Class T
Operating conditions	Air temperature: 10 – 43°C Water temperature: 5 – 38°C Water pressure: 0,7 – 6 bar
Ice Production capacity	Kg/24h at Ambient temperature 21°C, Water temperature 15°C.
Certification	ISO 9001, CE
Others	Refrigerant R452A & R290 Water inlet connection Ø=3/4" Gas Drain connection Ø=20 mm Single-phase input 220V-50Hz. / Optional: 220V-60Hz

S | 14 gr

M | 22 gr

L | 34 gr

L | 40 gr



WIDTH x DEPTH x HEIGHT  
Dimensions mm.

Model	Ice Cube	Condensation System	Production Kg. / Day	Storage Kg.	Maximum Power Input W.	WIDTH x DEPTH x HEIGHT Dimensions mm.
ICE TECH SS 25 R290	S 14 gr.	Air	22	6	260	350 x 475 x 595
		Water	24		260	
ICE TECH SS 35 R290	M    L 22gr. 40gr.	Air	32	15	356	435 x 605 x 695*
		Air <b>DP</b>	32		356	
		Water	34		260	
ICE TECH SS 45 R290	M    L 22gr. 40gr.	Air	43	15	510	435 x 605 x 695*
		Air <b>DP</b>	43		510	
		Water	45		510	
ICE TECH SS 60 R290	M    L 22gr. 40gr.	Air	62	30	540	515 x 645 x 840*
		Air <b>DP</b>	62		540	
		Water	65		540	
ICE TECH SS 80 R290	M    L 22gr. 40gr.	Air	82	40	720	645 x 645 x 870**
		Water	86		720	
ICE TECH SS 135 R290	M    L 22gr. 40gr.	Air	134	60	1150	930 x 565 x 915**
		Water	136		1150	
ICE TECH SS 150	M    L 22gr. 34gr.	Air	153	MODULAR	1200	775 x 625 x 805
		Water	158		1200	
ICE TECH SS 400 THREE-PHASE / MONO-PHASE	M    L 22gr. 34gr.	Air	376	MODULAR	3350	1321 x 638 x 978
		Water	374		3100	
ICE TECH CRUSHER TR3	S, M	-	3	1	150	180 x 330 x 320

**DP** With discharge pump

\* Legs + 12 - 20 mm  
\*\* Legs + 105 - 155 mm