

BASIC LINE

BAR STATION (BM-09)

Stainless steel construction Insulated ice well with dividers

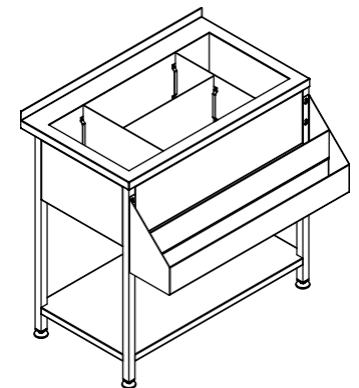
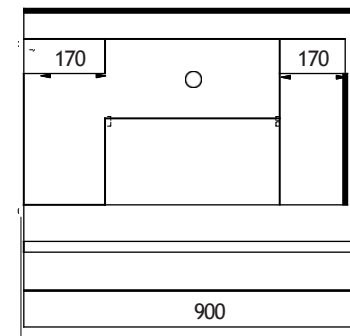
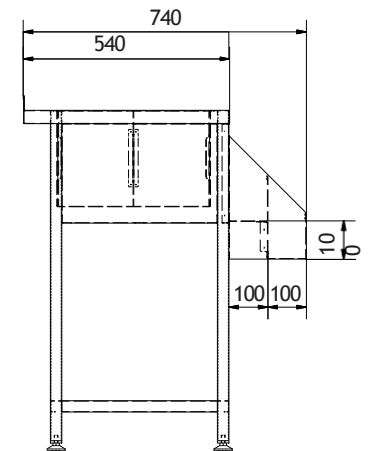
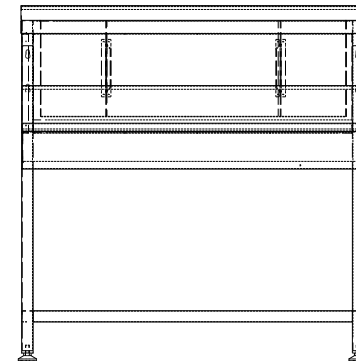
Insulated ice well with dividers

Front-mounted double speedrack for bottles

Smooth bottom shelf

Rear upstand 50mm at the back

Dimensions (mm): 900x740x900



BASIC LINE

BAR STATION (BM-14)

Stainless steel construction

Insulated ice well with dividers

Front-mounted double speedrack for bottles

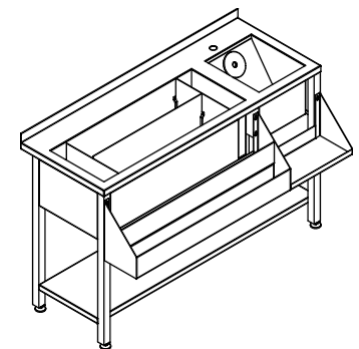
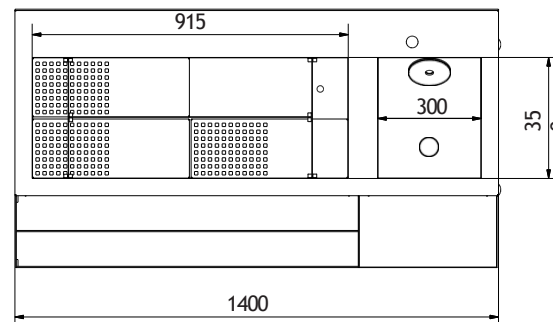
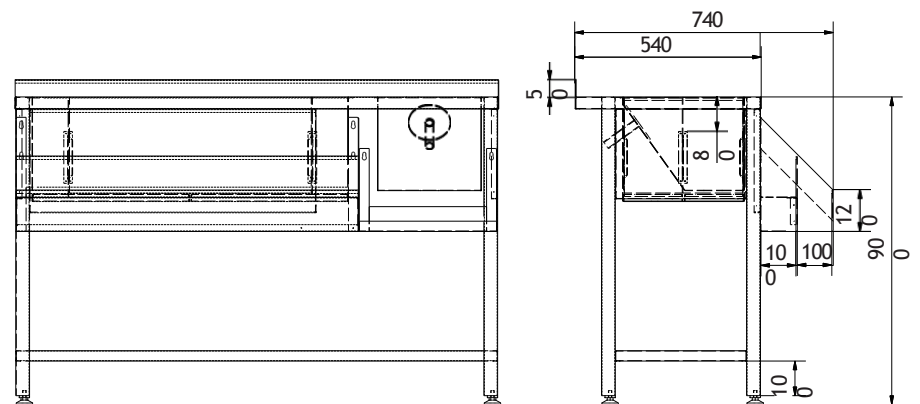
Sink (300x240mm)

Front-mounted platform for blender

Smooth bottom shelf

Rear upstand 50mm at the back

Dimensions (mm): 1400x740x900



PROFESSIONAL LINE

BAR STATION (BM-14)



BASIC LINE

BAR STATION (BM-16)

Stainless steel construction

Two insulated ice wells with dividers

Front-mounted double speedrack for bottles

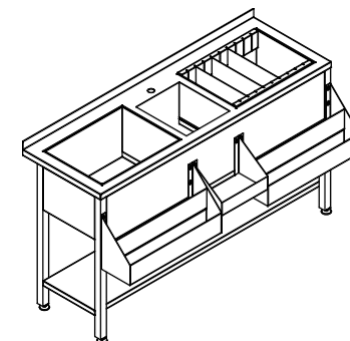
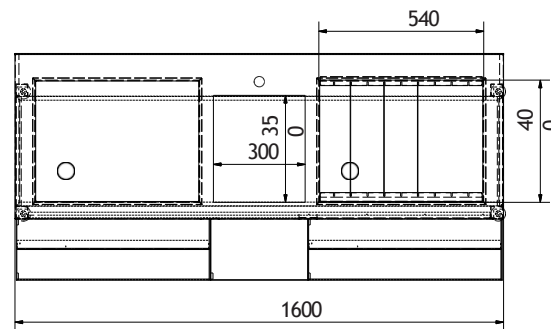
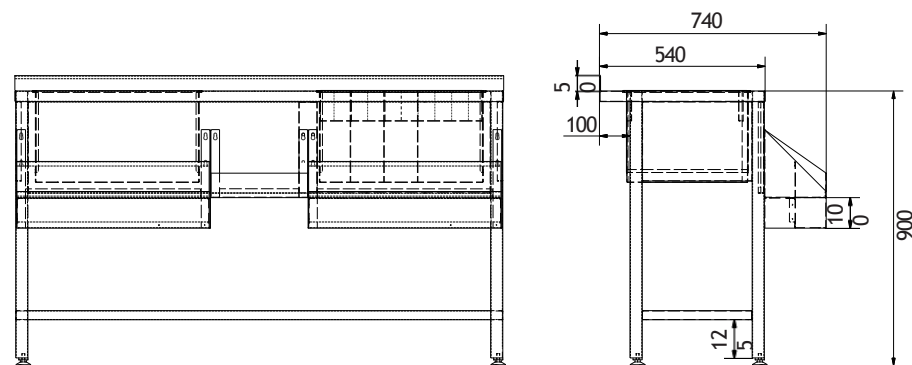
Sink (300x240mm)

Front-mounted platform for blender

Smooth bottom shelf

Rear upstand 50mm at the back

Dimensions (mm): 1600x740x900



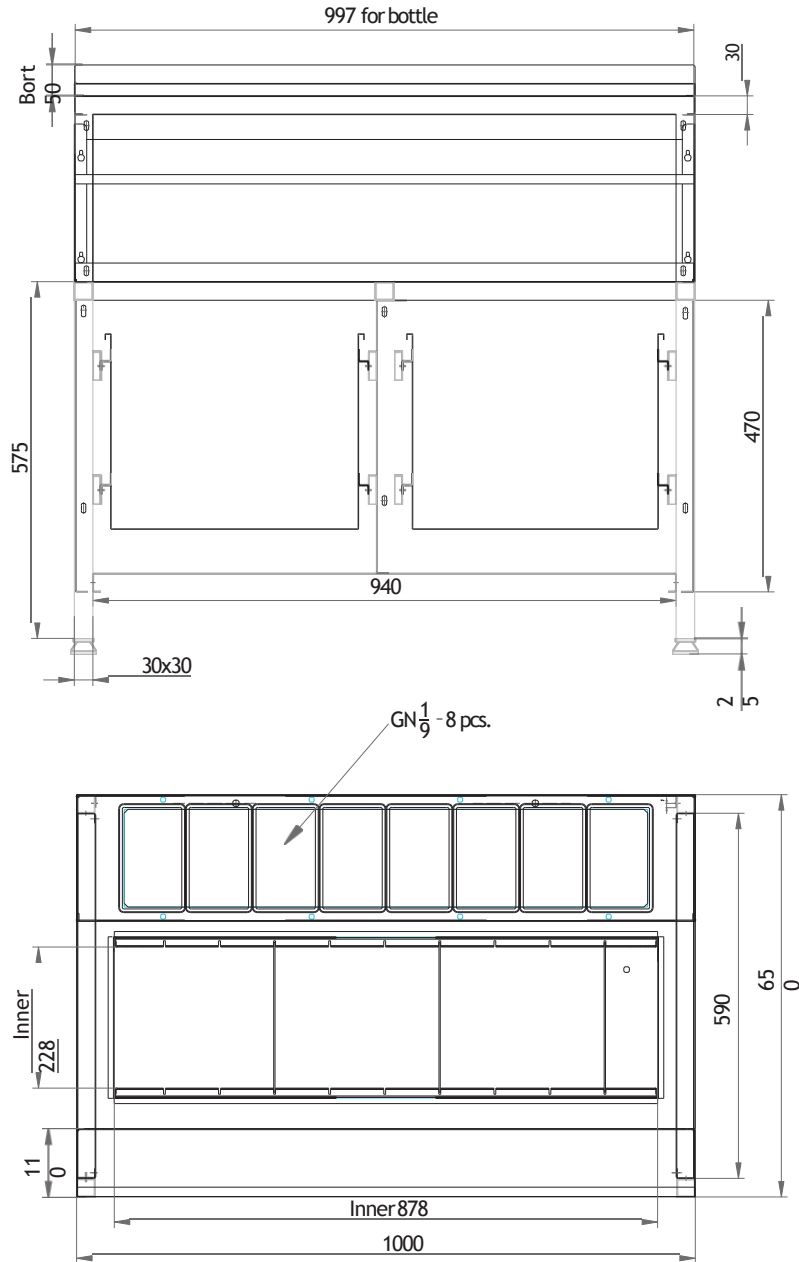
STANDARD LINE

BAR STATION (BMFD-1)



STANDARD LINE

BAR STATION (BMFD-1)



Stainless steel construction

Insulated ice well with dividers (878x288mm)

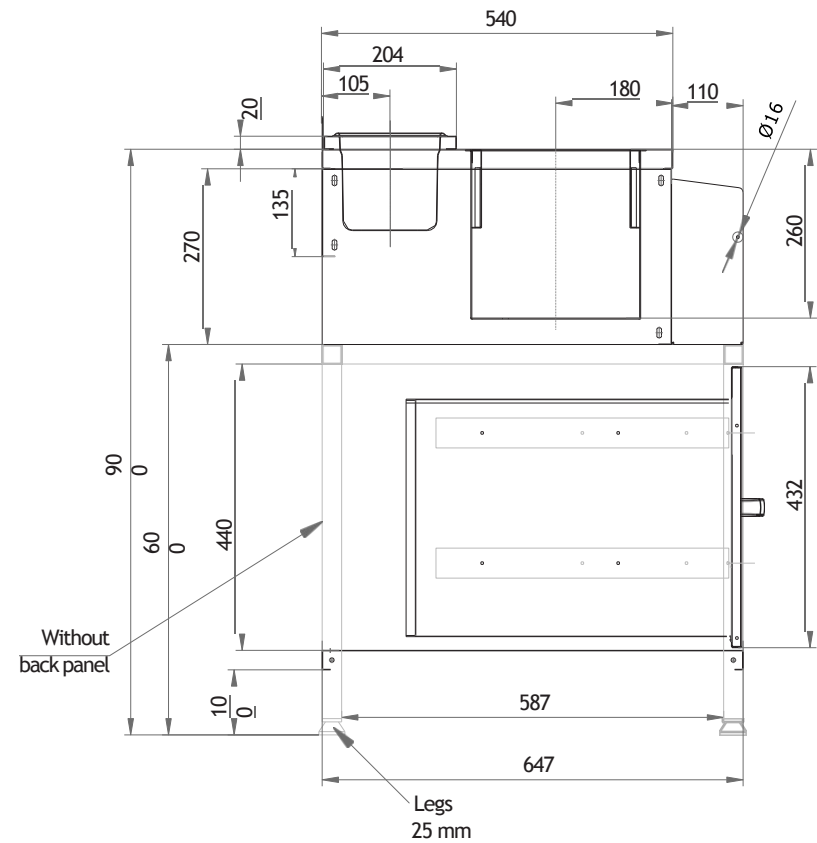
8 GN 1/9 trays for bar condiments

Front-mounted single speedrack for bottles

Two neutral temperature drawers below for bottles

Rear upstand 50mm at the back

Dimension (mm): 1000x650x900



STANDARD LINE

BAR STATION (BMFD-2)

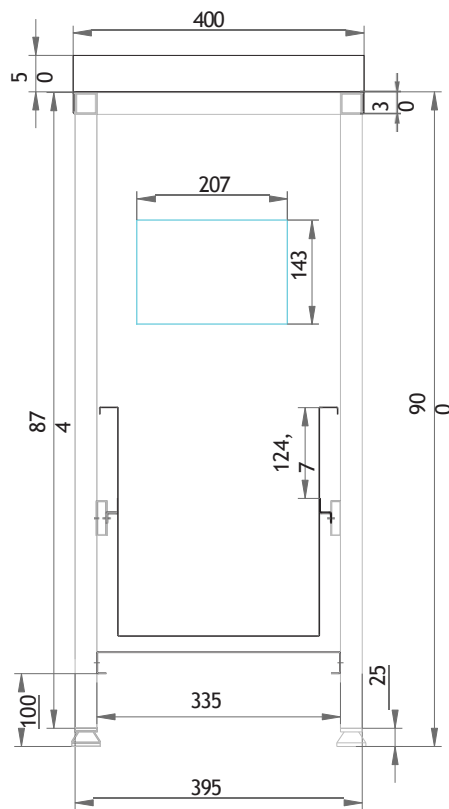


STANDARD LINE

Stainless steel construction

Sink (335x550mm)

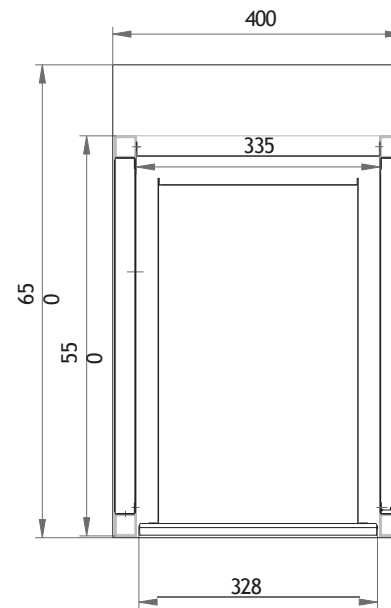
Integrated glass rinser in the sink



Sliding plastic cutting board

Compartment for organic waste

Waste flap in front

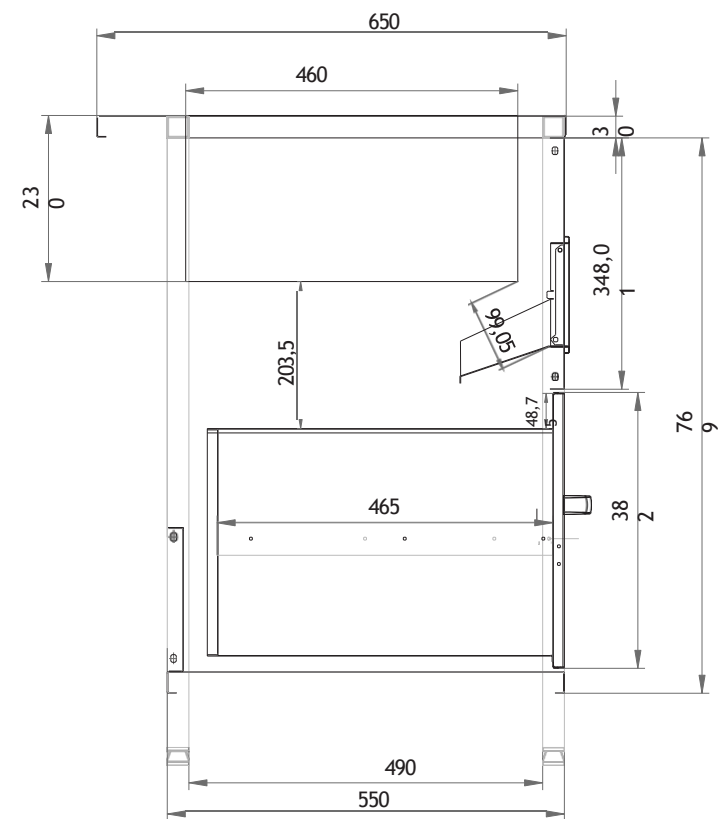


BAR STATION (BMFD-2)

One drawer for garbage bag

Rear upstand 50mm at the back

Dimension (mm): 400x650x900

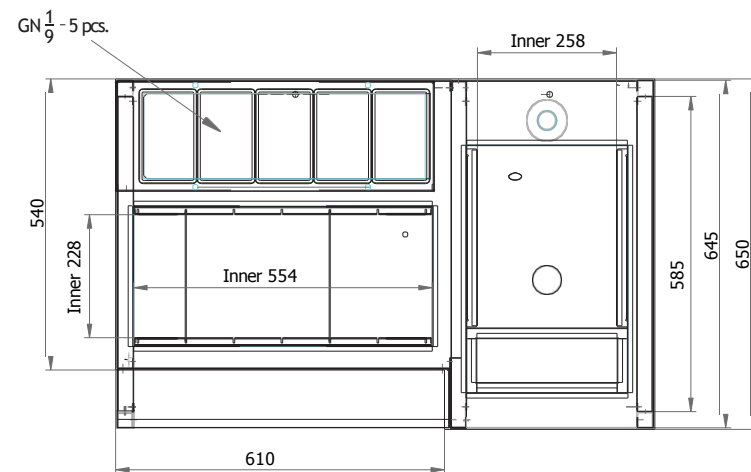
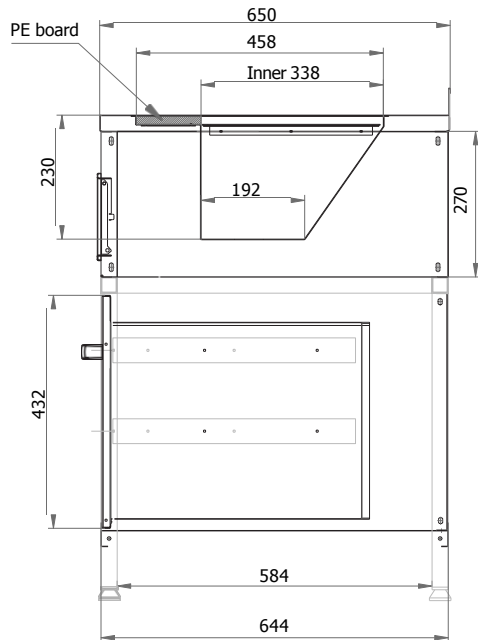
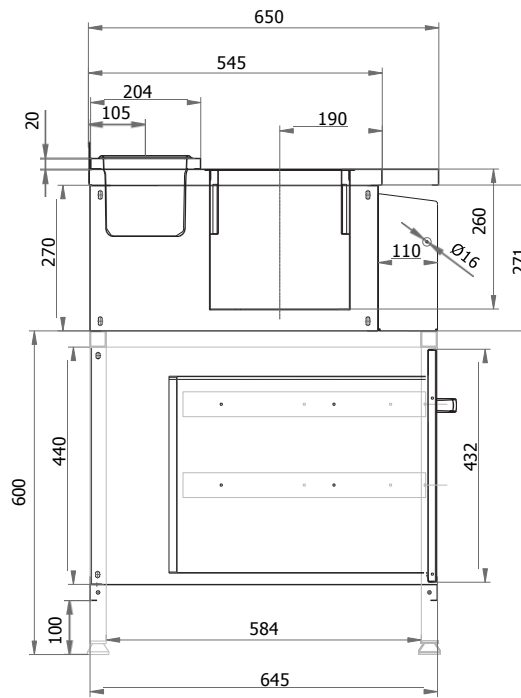
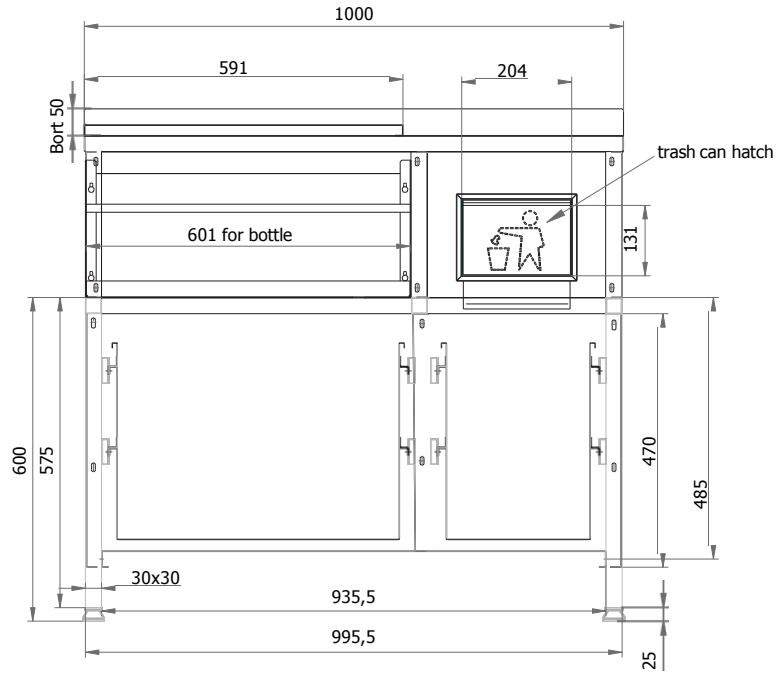


STANDARD LINE

BAR STATION (BMFD-3)



STANDARD LINE



BAR STATION (BMFD-3)

Stainless steel construction

Insulated ice well with dividers
(554x288mm)

5 GN 1/9 trays for bar condiments

Front-mounted single speedrack
for bottles

One neutral temperature drawer
below for bottles

Sink (335x550mm)

Integrated glass rinser in the sink

Sliding plastic cutting board

Compartment for organic waste

Waste flap in front

One drawer for garbage bag

Rear upstand 50mm at the back

Dimension (mm): 1000x650x900

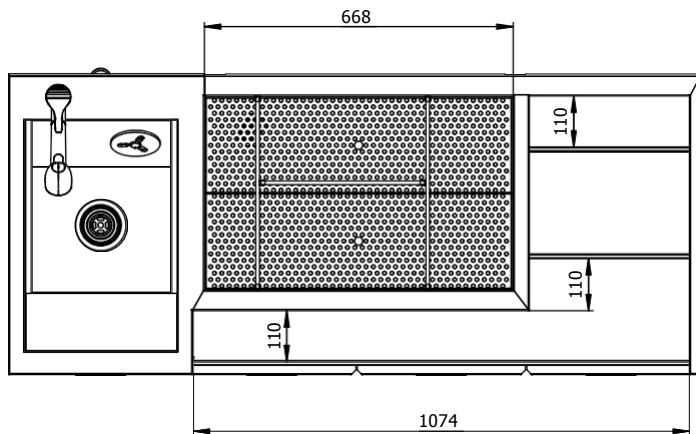
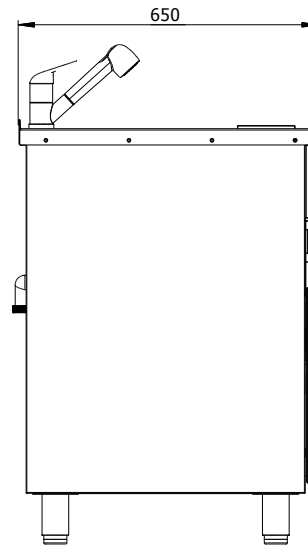
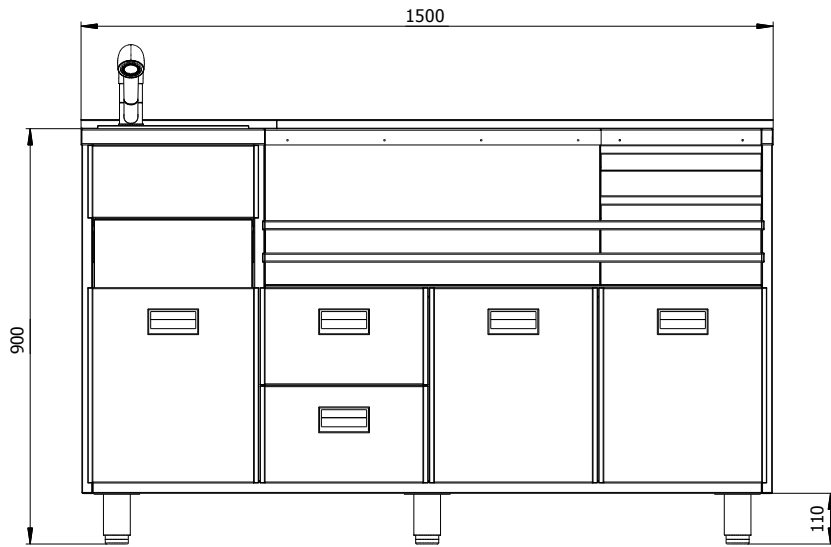
PROFESSIONAL LINE

BAR STATION (BMPR-1)



PROFESSIONAL LINE

BAR STATION (BMPR-1)



Stainless steel construction

Insulated ice well with dividers
(668x375mm)

4 GN 1/9 trays for bar condiments

Custom speedrack for bottles

Four neutral temperature drawers
below for bottles

Sink (330x500mm)

Integrated glass rinser in the sink

Sliding plastic cutting board

Compartment for organic waste

Waste flap in front

One drawer for garbage bag

Rear upstand 20mm at the back

Dimension (mm): 1500x650x900

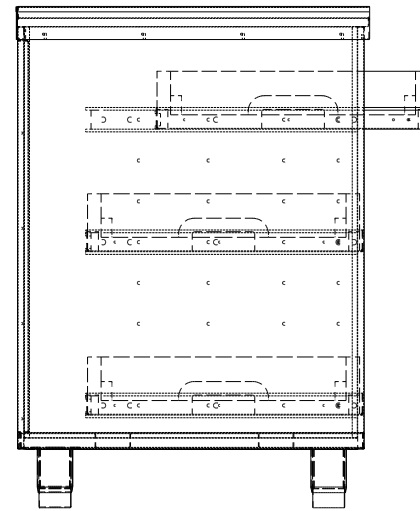
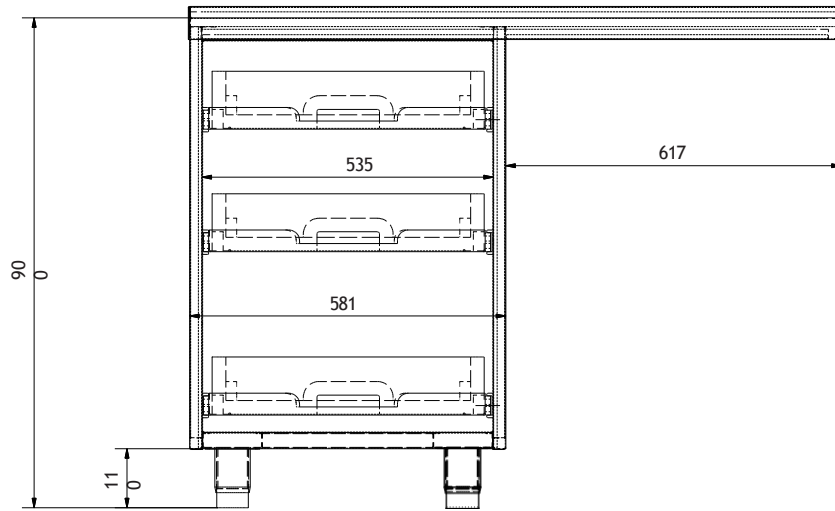
DISHWASHING STATIONS

DISHWASHING STATION WITH BASKET STORAGE (GF-12/065.DW3.B)



DISHWASHING STATIONS

DISHWASHING STATION WITH BASKET STORAGE (GF-12/065.DW3.B)



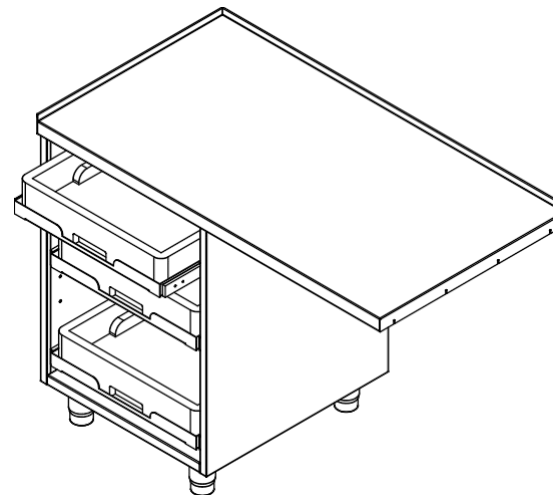
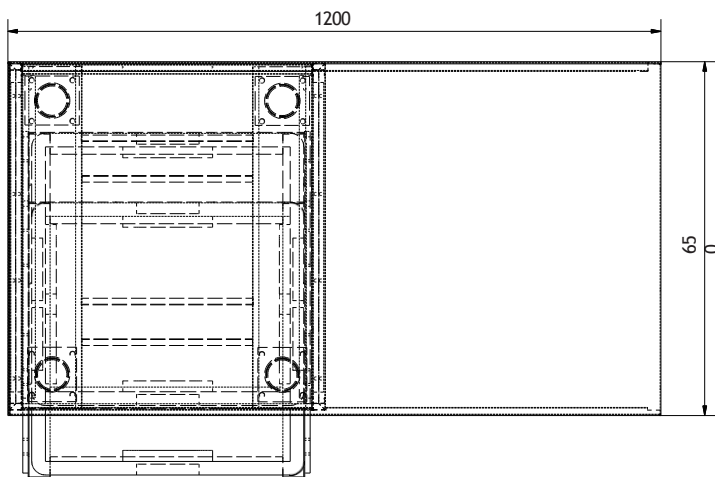
Stainless steel construction

Three drawers for dishwashing basket storage

Free space for under-counter dishwasher

Rear upstand 20mm at the back

Dimension (mm): 1200x650x900mm



PROFESSIONAL LINE

BAR STATION (BMPR-2)



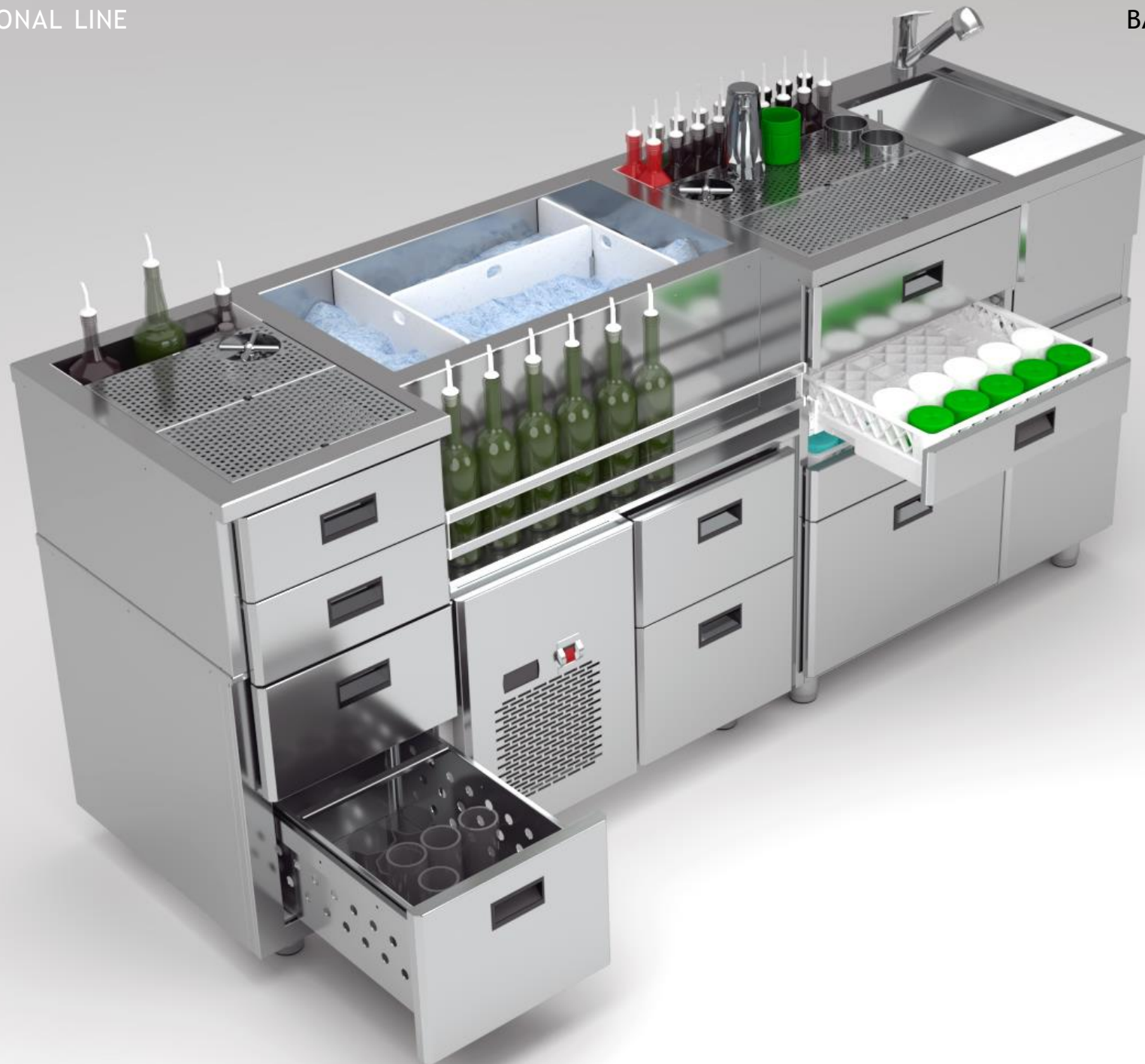
PROFESSIONAL LINE

BAR STATION (BMPR-2)



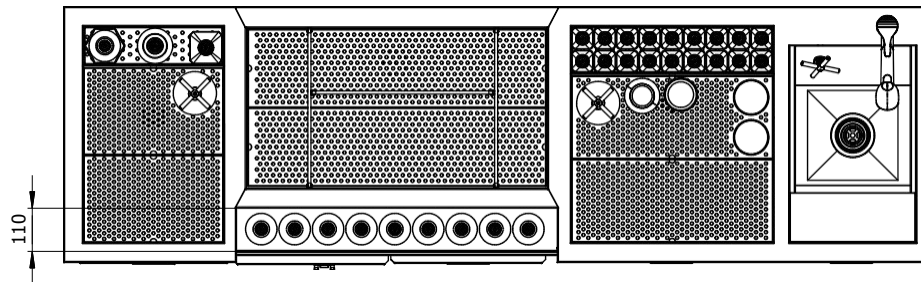
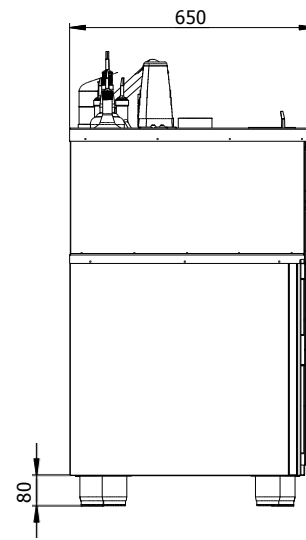
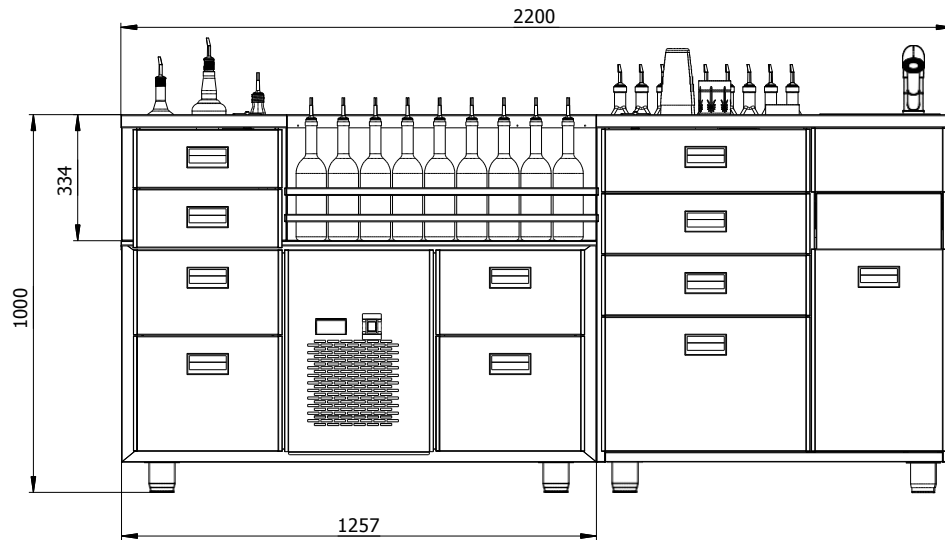
PROFESSIONAL LINE

BAR STATION (BMPR-2)



PROFESSIONAL LINE

BAR STATION (BMPR-2)



Stainless steel construction

Insulated ice well with dividers (668x375mm)

Integrated freezing table with 4 drawers

Front-mounted single speedrack for bottles

Two drip-tray sections with integrated space for bottles

Two neutral temperature drawers

Two integrated glass rinsers

Storage for glasswear

Sink (330x500mm)

Sliding plastic cutting board

Compartment for organic waste

Waste flap in front

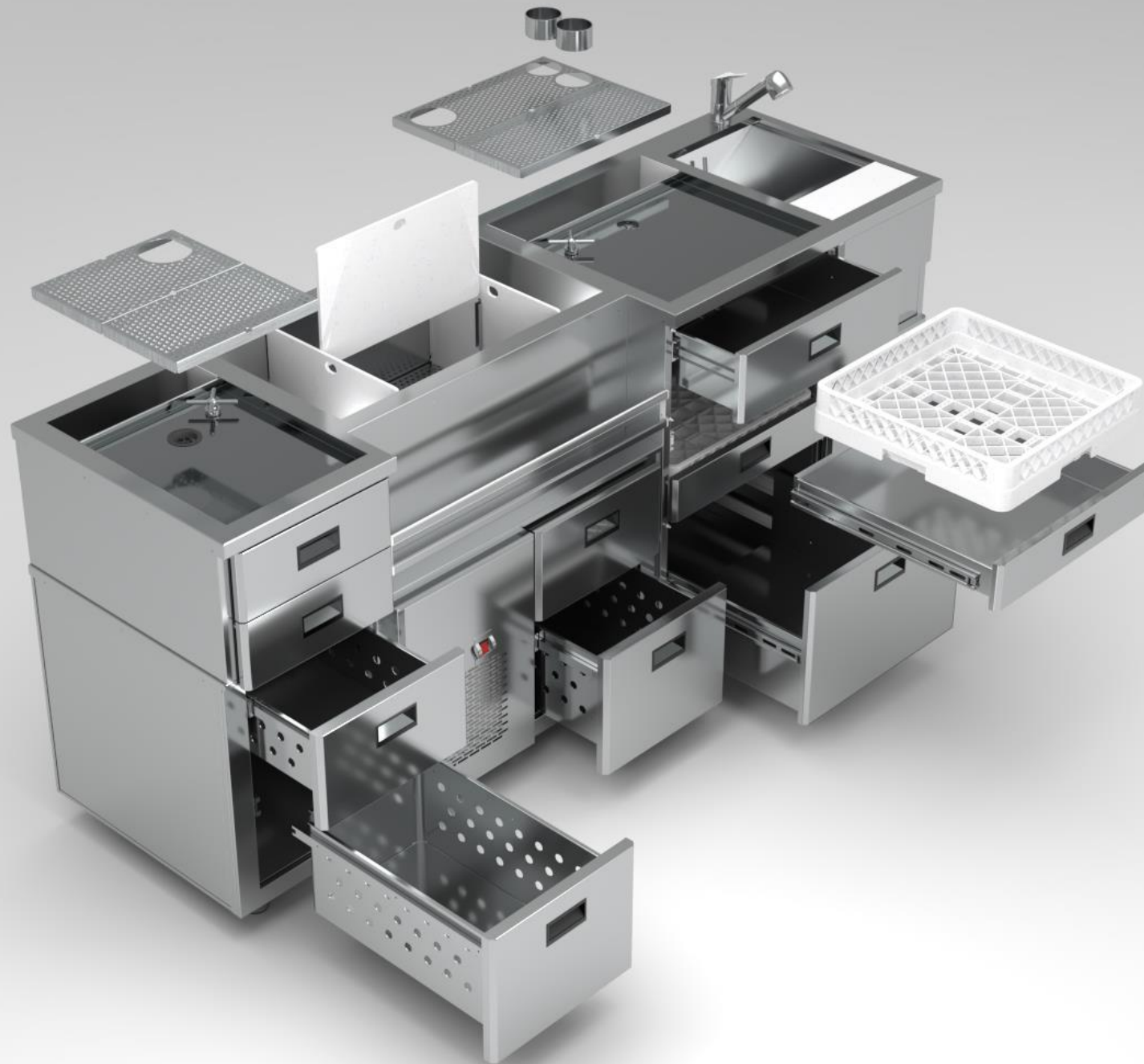
One drawer for garbage bag

Rear upstand 20mm at the back

Dimension (mm): 2200x650x1000

PROFESSIONAL LINE

BAR STATION (BMPR-2)

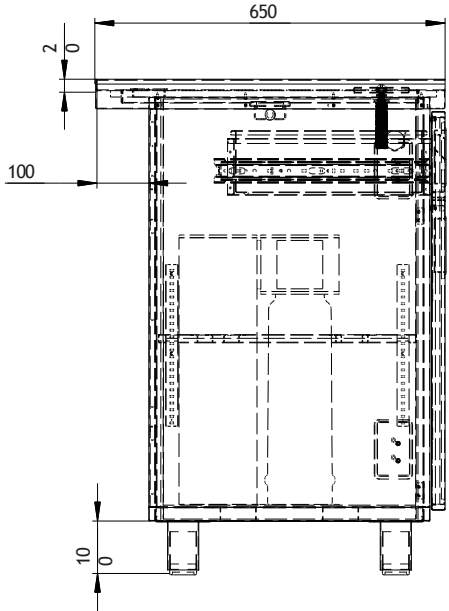
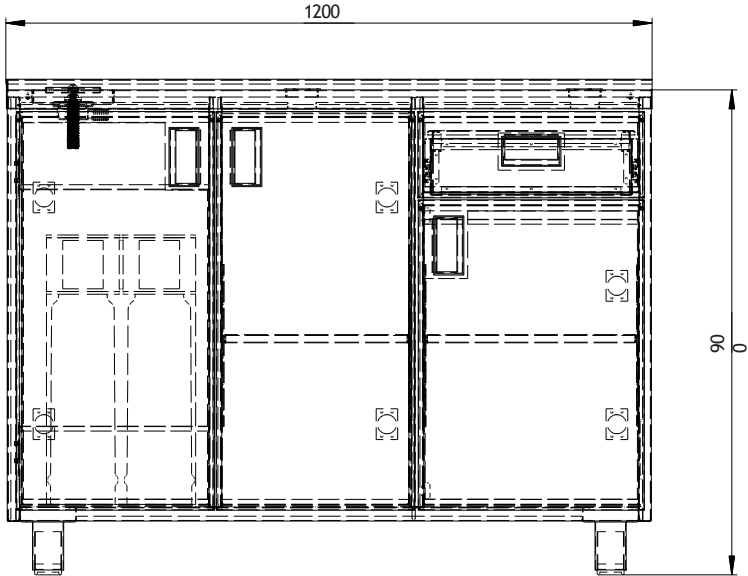


PROFESSIONAL LINE

COFFEE STATION (GDCF-12/065)



PROFESSIONAL LINE



COFFEE STATION (GDCF-12/065)

- Stainless steel construction
- Coffee knock box
- Two hinged doors
- Drip tray with integrated glass rinser
- Compartment for garbage
- Rear upstand 20mm at the back
- Dimension (mm): 1200x650x1000

CUSTOM LINE

BAR STATION (BMCL-29)



Stainless steel construction

Insulated ice well with modular hexagon-style dividers

Four narrow drip-tray sections integrated into the tabletop

Two sinks with integrated glass rinsers

Sliding plastic cutting boards built into the sinks

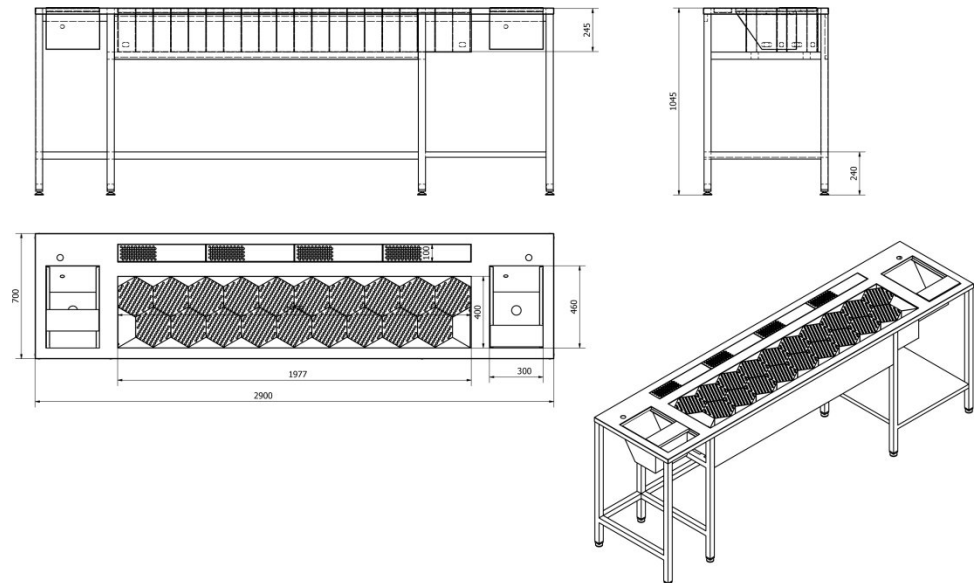
Compartment for organic waste

Waste flap in front

One drawer for a garbage bag

Dimension (mm): 2900x700x1000

Customisable size and design for your unique bar setup



CUSTOM LINE



BAR STATION (BMCL-13)

Stainless steel construction

Insulated ice well with modular hexagon-style dividers

Four narrow drip-tray sections integrated into the tabletop

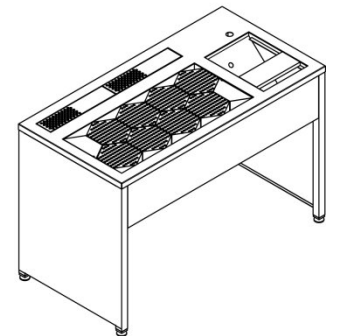
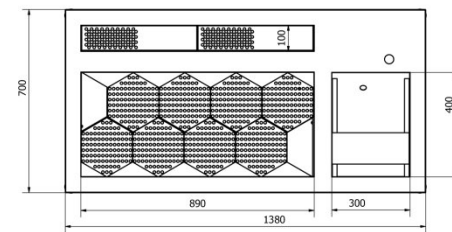
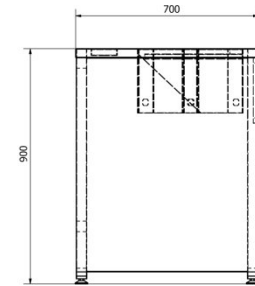
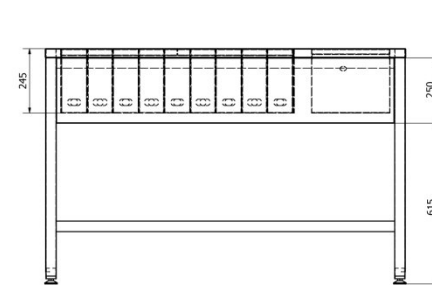
Two sinks with integrated glass rinsers

Sliding plastic cutting board built into the sink

Compartment for organic waste

Dimension (mm): 1380x700x1000

Customisable size and design for your unique bar setup



DISHWASHING STATIONS

DISHWASHING STATION WITH SINK (GD-12/065.S45.UE.B)

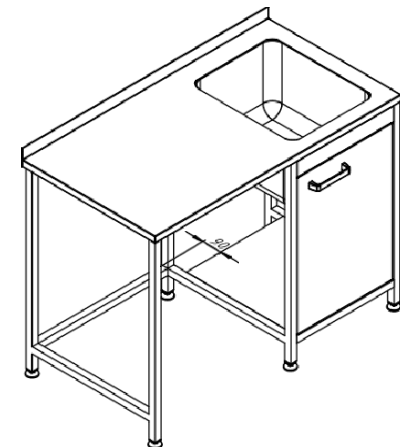
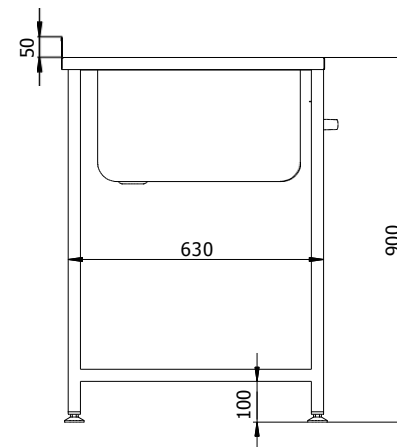
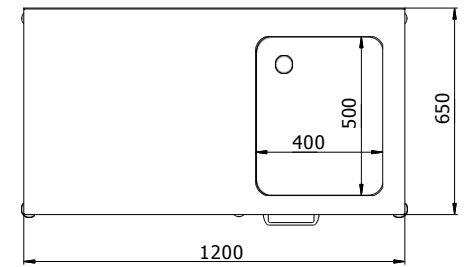
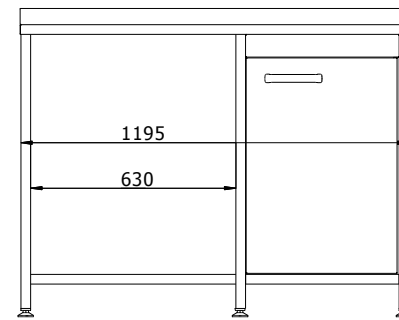
Stainless steel construction with door

Sink 400x500mm

Free space for under-counter
dishwasher

Rear upstand 50mm at the back

Dimension (mm): 1200x650x900mm



DISHWASHING STATIONS



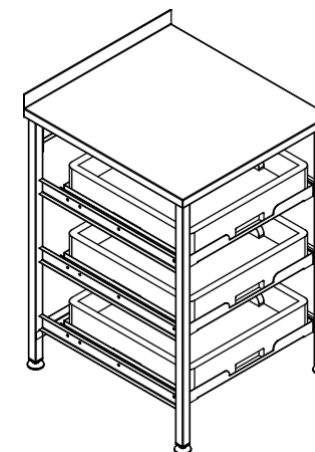
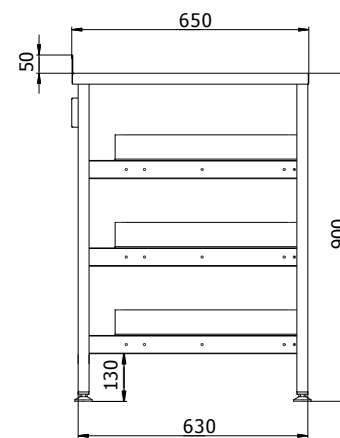
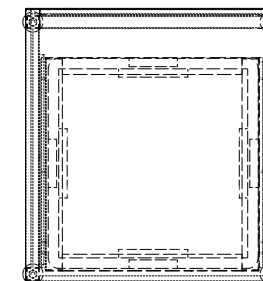
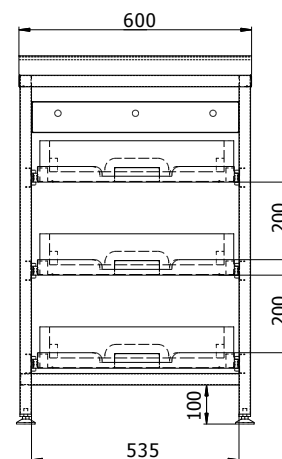
DISHWASHING STATION WITH BASKET STORAGE

Stainless steel construction with door

Three drawers for dishwashing basket storage

Rear upstand 50mm at the back

Dimension (mm): 600x650x900mm



COOLING EQUIPMENT

BAR STATION COOLING TABLES

Stainless steel construction

Cassette type monobloc (R290)

Temp. +2 to +6 degrees C

Doors and drawers compatible with standard bottle sizes

Rear upstand 50mm at the back



ADDITIONAL EQUIPMENT

TABLE WITH INTEGRATED DRIP-TRAY

Stainless steel construction

Integrated drip-tray

Free space for undercounter equipment

Rear upstand 50mm at the back

Available sizes (mm)

GP-06/065.B - 600x650x900mm

GP-07/065.B - 700x650x900mm

GP-08/065.B - 800x650x900mm

GP-09/065.B - 900x650x900mm

GP-10/065.B - 1000x650x900mm

GP-11/065.B - 1100x650x900mm

GP-12/065.B - 1200x650x900mm

Corner module

GP-065/065.2B - 650x650x900mm



ADDITIONAL EQUIPMENT



NEUTRAL DRAWER STATION

Stainless steel construction

Three neutral drawers

Rear upstand 50mm at the back

Dimension (mm): 600x650x900mm

Available sizes (mm)

GF-04/065.DW3.B - 400x650x900

GF-05/065.DW3.B - 500x650x900

GF-06/065.DW3.B - 600x650x900

GF-07/065.DW3.B - 700x650x900

GF-08/065.DW3.B - 800x650x900

ADDITIONAL EQUIPMENT



SINK STATION (GF-04/065.S23.SH.B)

Stainless steel construction

Sink (240x300mm)

Smooth bottom shelf

Rear upstand 50mm at the back

Dimension (mm): 400x650x900mm

ADDITIONAL EQUIPMENT



NEUTRAL TABLE WITH SHELF

Stainless steel construction

Smooth bottom shelf

Rear upstand 50mm at the back

Available sizes (mm)

GF-04/065.SH.B - 400x650x900

GF-05/065.SH.B - 500x650x900

GF-06/065.SH.B - 600x650x900

GF-07/065.SH.B - 700x650x900

GF-08/065.SH.B - 800x650x900

GF-09/065.SH.B - 900x650x900

GF-10/065.SH.B - 1000x650x900

GF-11/065.SH.B - 1100x650x900

GF-12/065.SH.B - 1200x650x900

ADDITIONAL EQUIPMENT



NEUTRAL TABLE WITH HINGED DOORS

Stainless steel construction

Additional smooth inside shelf

Rear upstand 50mm at the back

Available sizes (mm)

GD-04/065.B - 400x650x900

GD-05/065.B - 500x650x900

GD-06/065.B - 600x650x900

GD-07/065.B - 700x650x900

GD-08/065.B - 800x650x900

GD-09/065.B - 900x650x900

GD-10/065.B - 1000x650x900

GD-11/065.B - 1100x650x900

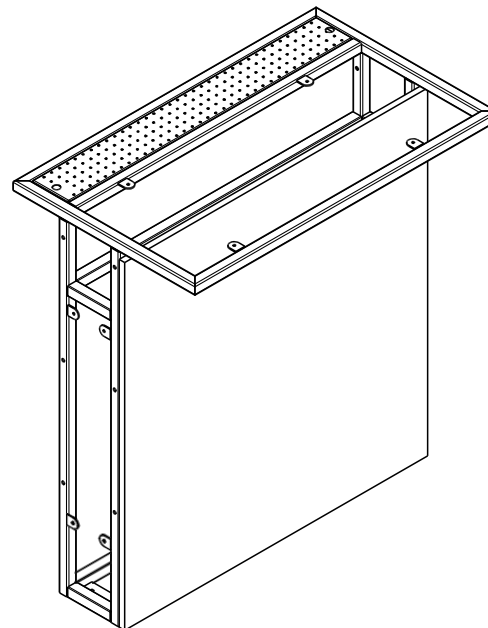
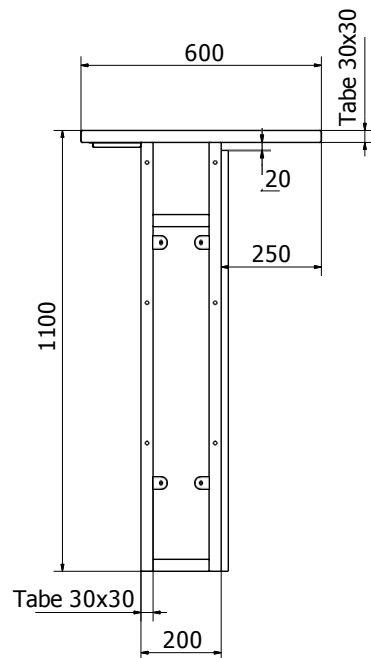
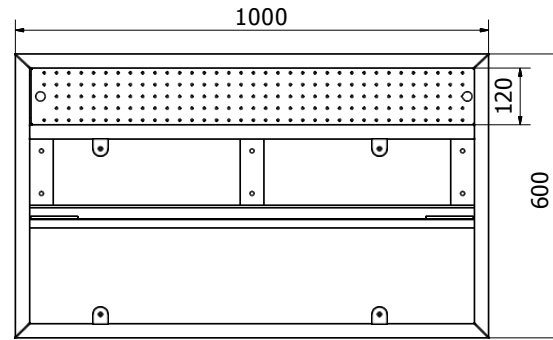
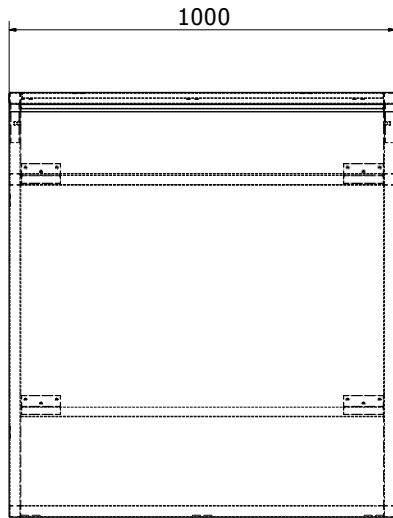
GD-12/065.B - 1200x650x900

ADDITIONAL EQUIPMENT

MODULAR BAR COUNTER FRAME



ADDITIONAL EQUIPMENT



MODULAR BAR COUNTER FRAME

Stainless steel construction

Floor fixings

Integrated drip tray

Available sizes (mm)

BS-500

BS-600

BS-700

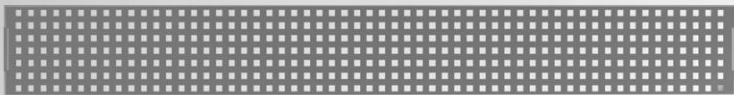
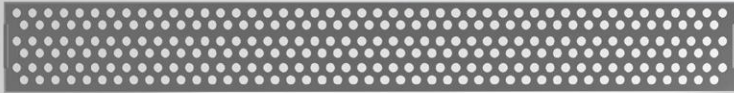
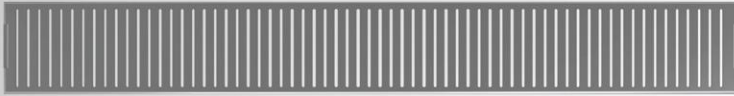
BS-800

BS-1000

Corner module

BS-CR

ACCESSORIES



DRIP TRAYS

3 different cutout patterns

Possibility to custom order your own logo cutouts

Optional supports for fixing drip tray to the bar counter

Available sizes (mm)

BT-04/01 - 400x100

BT-05/01 - 500x100

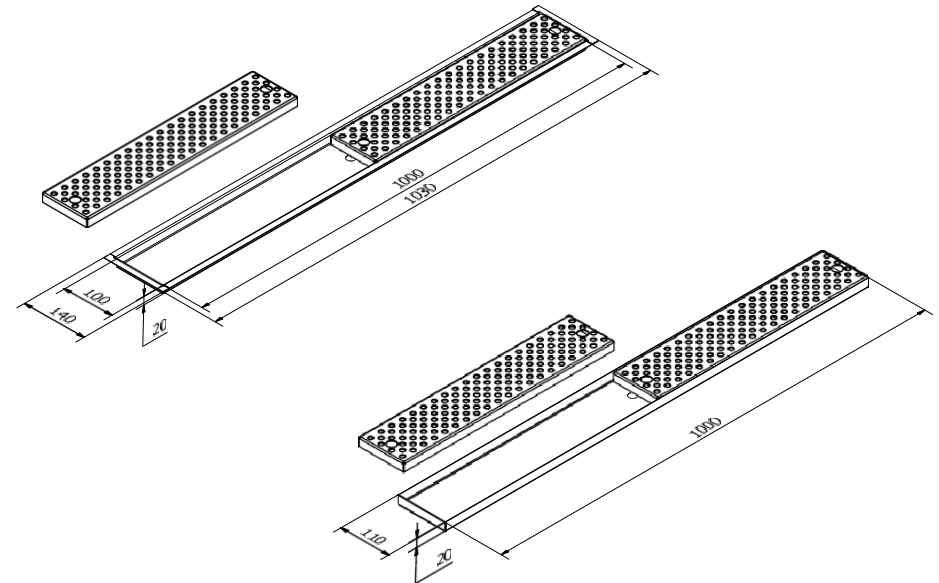
BT-06/01 - 600x100

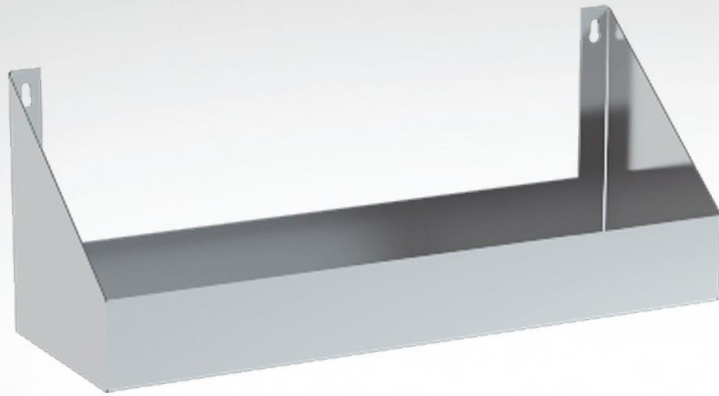
BT-06/01 - 700x100

BT-08/01 - 800x100

BT-09/01 - 900x100

BT-10/01 - 1000x100





Stainless steel construction

Single and double row versions

Front mounted

Available length sizes (mm)

Single row

SR1-04/01 - 400mm

SR1-06/01 - 600mm

SR1-08/01 - 800mm

SR1-10/01 - 800mm

SR1-12/01 - 1000mm

Double row

SR2-04/01 - 400mm

SR2-06/01 - 600mm

SR2-08/01 - 800mm

SR2-10/01 - 800mm

SR2-12/01 - 1000mm

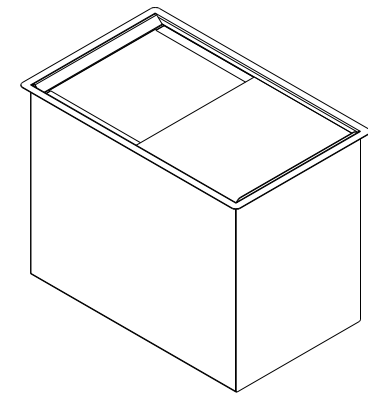
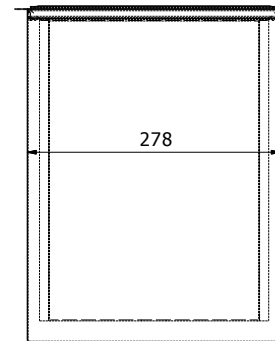
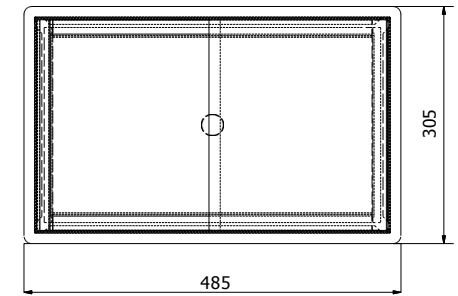
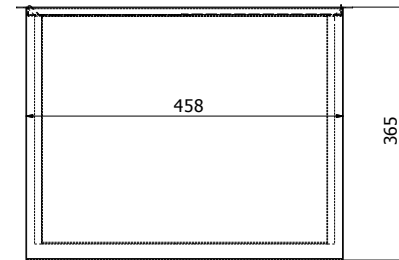
ACCESSORIES

DROP-IN ICE WELL

Stainless steel construction with insulation

Sliding lid

Dimensions: 485x305x365mm



EXAMPLES



EQUIPMENT COMBINATIONS

