



**COLOURS THAT SUIT ALL TASTES.
SOFRASPEED IS AVAILABLE IN A WIDE
RANGE OF COLOURS. COOK STYLISHLY !**



HIGH SPEED OVEN

No more waiting for your customers !

DEVELOP

- ✓ Your activity

INCREASE

- ✓ Your turnover
- ✓ Your Profits

REDUCE

- ✓ Waiting time



IDEAL FOR

- ✓ Bakery - Confectioneries
- ✓ Snack - Takeaway
- ✓ Restaurant - Brasserie - Café
- ✓ Hotels - Cafeteria - Supermarkets
- ✓ Food Truck - Corner
- ✓ Shopping mall
- ✓ Catering
- ✓ Government departments
- ✓ Ships

3 MAIN FUNCTIONS

- ✓ DEFROSTING
- ✓ REHEAT
- ✓ COOKING



3 COMBINED TECHNOLOGIES

- ✓ CONVECTION (INFRARED RADIATION)
- ✓ MICROWAVE
- ✓ IMPINGEMENT / FORCED AIR

START YOUR COOKING WITH A SIMPLE TOUCH ON THE DISPLAY !



Watch our video presentation on our website www.sofraca.fr or scan notre QR code here under :

EASY TO USE

- ✓ 5 inch reactive touch screen with a simplified user interface.
- ✓ You can create over 1000 recipes yourself.
- ✓ Add pictures to personalize your recipes.
- ✓ Programmes : Up to 15 steps per cooking

EASY TO INSTALL

- ✓ The oven does not need an extractor hood.
- ✓ Simply plug into a singlephase socket.
- ✓ Space saving : installation from 60 cm counter depth





SPECIFICATIONS

- ✓ Maximum temperature : 280°C
- ✓ Ventilation : 10 speeds
- ✓ Microwave : 10 levels (from 0 to 100%)
- ✓ USB Port to import and export recipes > ideal for chains
- ✓ Minimized footprint, maximized capacity
- ✓ Silent operation : 54 dB in use
- ✓ Stainless steel cavity



4 INCLUDED ACCESSORIES

- ✓ Shovel with side protection
- ✓ Rectangular teflon basket
- ✓ Round pizza pan
- ✓ Teflon disc

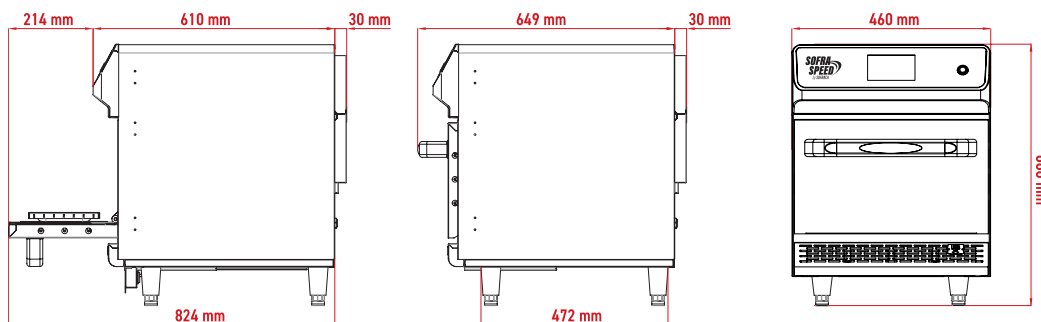


CONSTRUCTION

- ✓ Stainless steel cavity with rounded corners
- ✓ Easy access to the air filter
- ✓ Colours : black, blue, white and red
- ✓ Body in stainless steel
- ✓ Low Energy Magnetron
- ✓ Convection : Infrared radiation

CLEANING

- ✓ Easy to clean thanks to its rounded corners
- ✓ Removable grease and air filter for maintenance



REF.	COLOUR	VOLUME (L)	POWER CONSUMPTION (KW)	POWER SOURCE	MICROWAVES (KW)	HOT AIR CONVECTION (KW)	WEIGHT (KG)	DIMENSIONS (W X D X H) (MM)	
								EXTERIOR	CAVITY
SOFRASPEED	BLACK	17	3,5	220/230V. / 50HZ	1,2	3	66	460 x 675 x 660	305 x 305 x 185
SOFRASPEED-BLUE	BLUE								
SOFRASPEED-WHITE	WHITE								
SOFRASPEED-RED	RED								