



vitrum
Dynamic Retail Systems

BAR EQUIPMENT



ABOUT COMPANY

VITRUM GROUP is the company based in Riga, Latvia with the assortment of its goods and services comprised of professional kitchen equipment, refrigeration equipment, stainless steel furniture for professional kitchens, equipment for public catering establishments, retail displays and shelving systems, modular furniture, and soft furniture items.

VITRUM GROUP has already more than **30 years of experience** in project management and design for restaurants, bars, canteens, petrol stations, C-store concepts, coffee shops, and different food production companies, as well as projects for fast-food restaurants.



BASIC LINE

BAR STATION (BM-09)

Stainless steel construction Insulated ice well with dividers

Insulated ice well with dividers

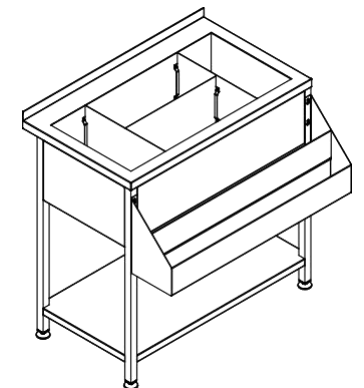
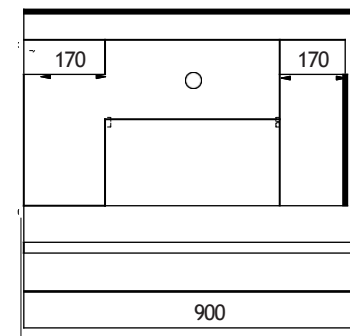
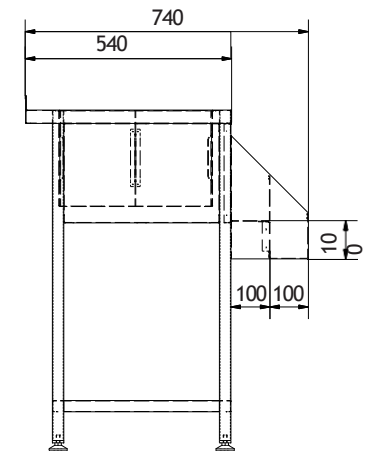
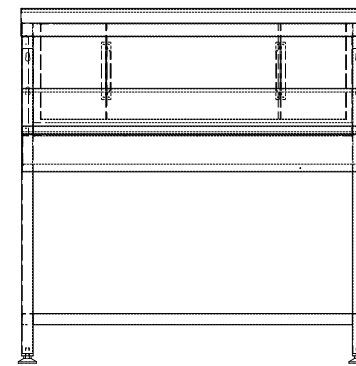
Front-mounted double speedrack for bottles

Smooth bottom shelf

Rear upstand 50mm at the back

Dimensions (mm): 900x740x900

Price: 922€*



ALL PRICES IN EUR (EXW RIGA)*

PROFESSIONAL LINE

BAR STATION (BM-14)



BASIC LINE



BAR STATION (BM-14)

Stainless steel construction

Insulated ice well with dividers

Front-mounted double speedrack for bottles

Sink (300x240mm)

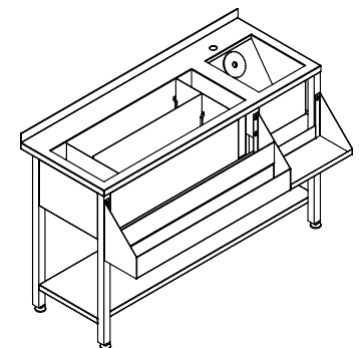
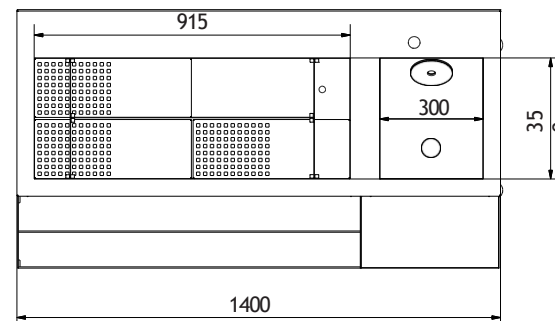
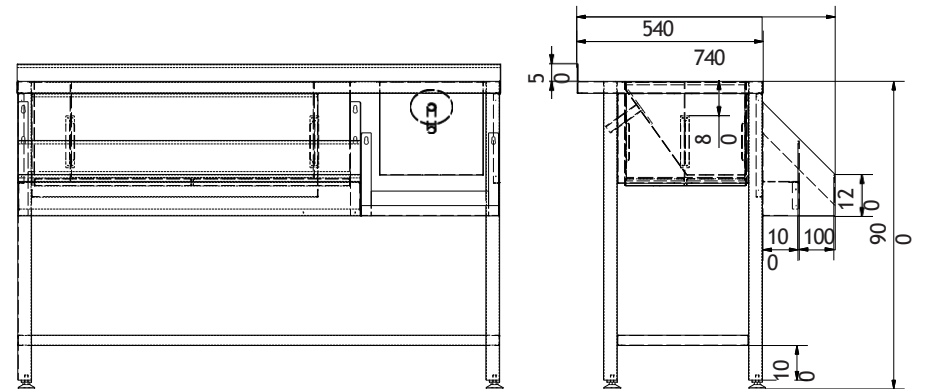
Front-mounted platform for blender

Smooth bottom shelf

Rear upstand 50mm at the back

Dimensions (mm): 1400x740x900

Price: 1289€*



BASIC LINE

BAR STATION (BM-16)

Stainless steel construction

Two insulated ice wells with dividers

Front-mounted double speedrack for bottles

Sink (300x240mm)

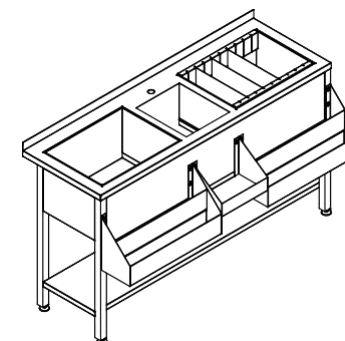
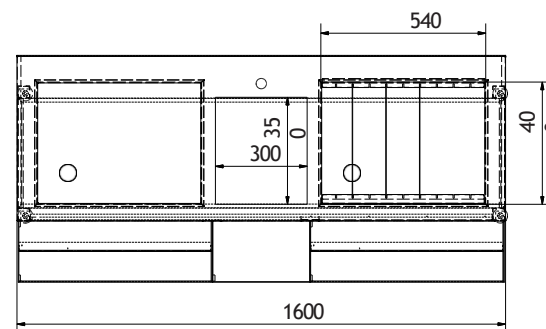
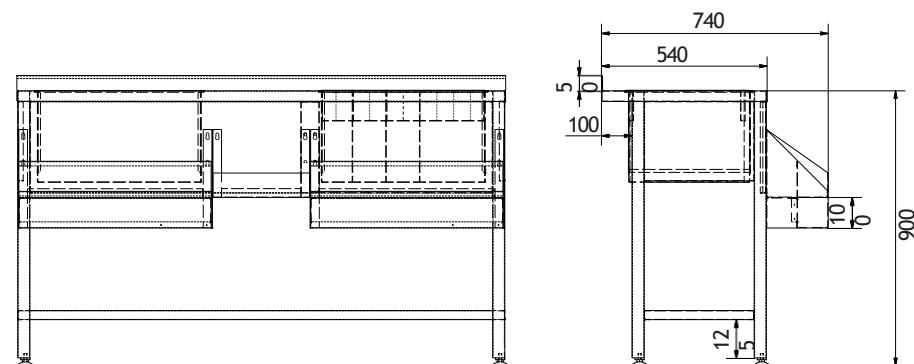
Front-mounted platform for blender

Smooth bottom shelf

Rear upstand 50mm at the back

Dimensions (mm): 1600x740x900

Price: 1559€*



ALL PRICES IN EUR (EXW RIGA)*

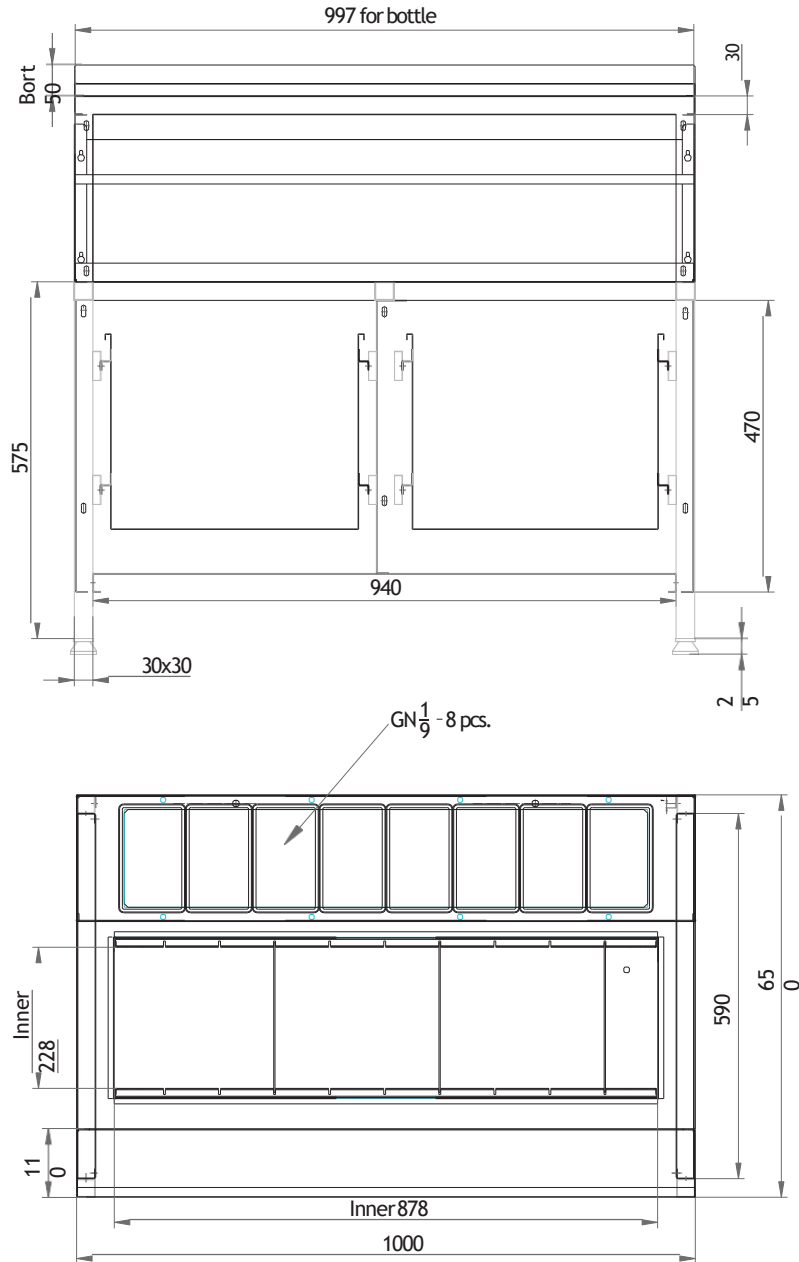
STANDARD LINE

BAR STATION (BMSL-1)



STANDARD LINE

BAR STATION (BMSL-1)



Stainless steel construction

Insulated ice well with dividers (878x288mm)

8 GN 1/9 trays for bar condiments

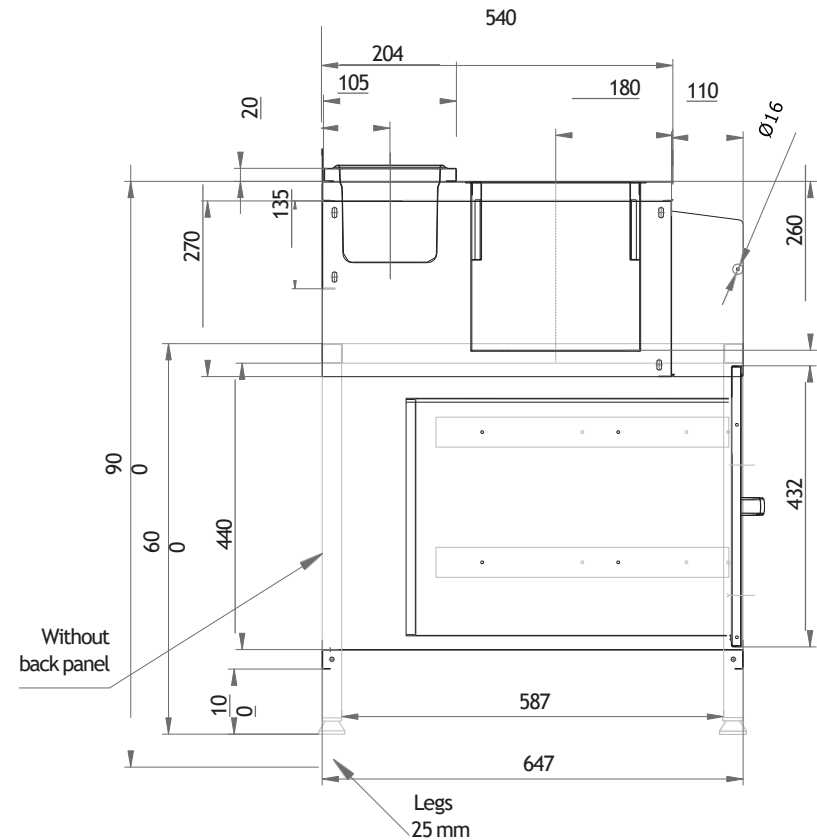
Front-mounted single speedrack for bottles

Two neutral temperature drawers below for bottles

Rear upstand 50mm at the back

Dimension (mm): 1000x650x900

Price: 1207€*



STANDARD LINE

BAR STATION (BMSL-2)

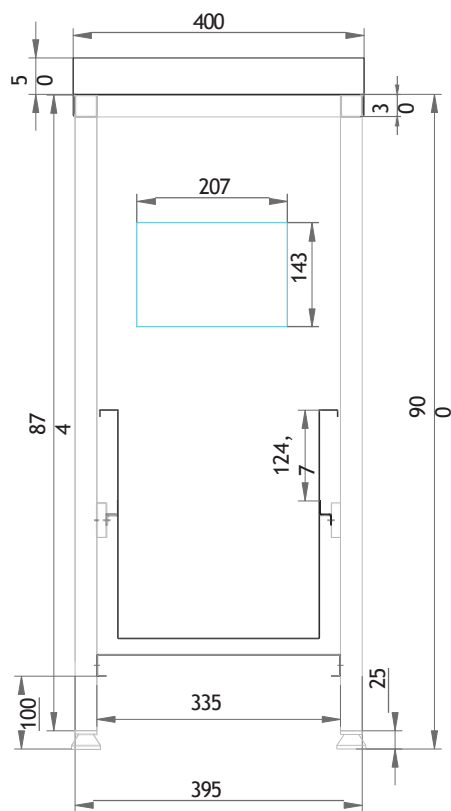


STANDARD LINE

Stainless steel construction

Sink (335x550mm)

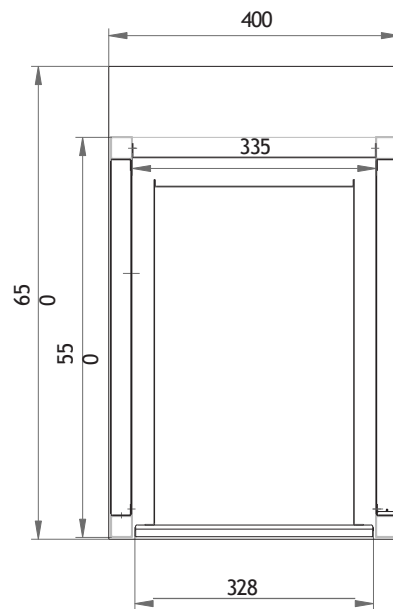
Integrated glass rinser in the sink



Sliding plastic cutting board

Compartment for organic waste

Waste flap in front



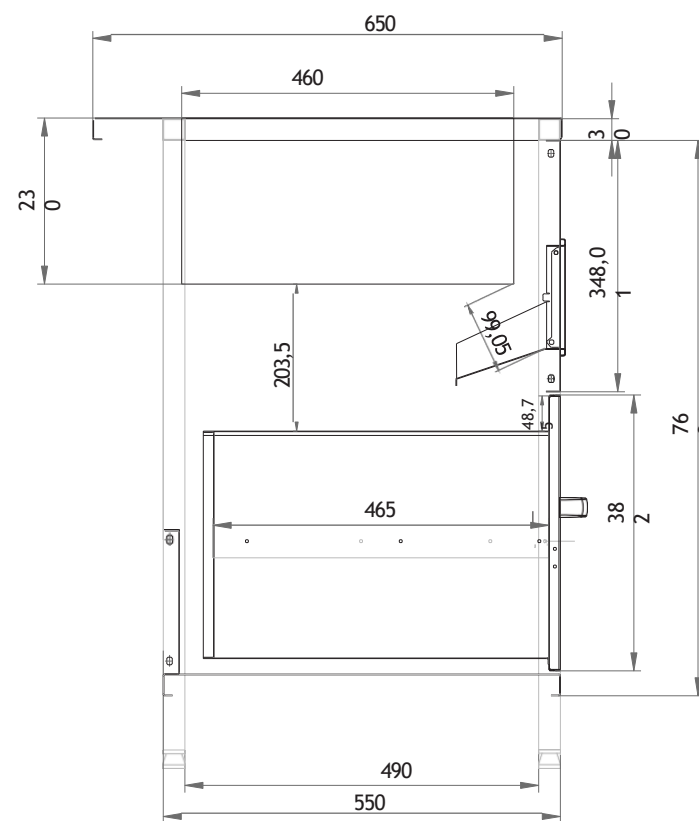
BAR STATION (BMSL-2)

One drawer for garbage bag

Rear upstand 50mm at the back

Dimension (mm): 400x650x900

Price: 878€*

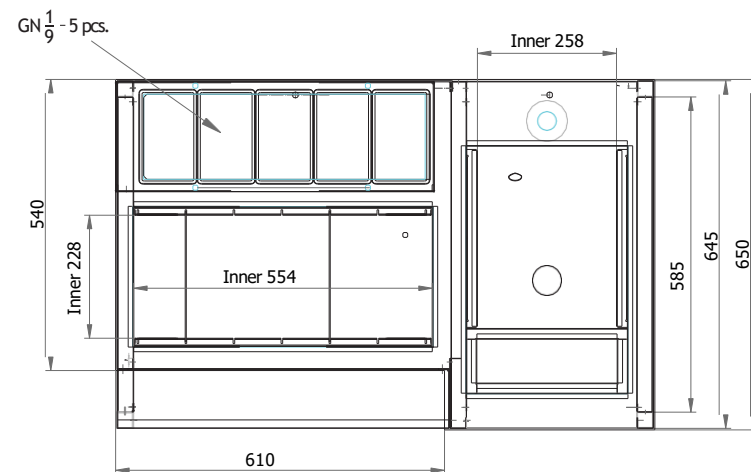
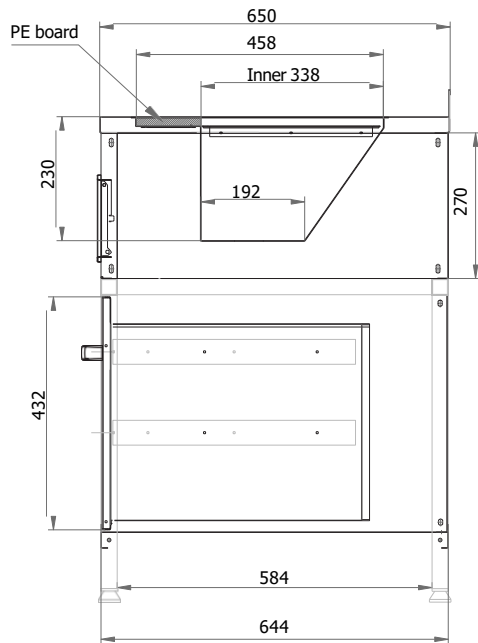
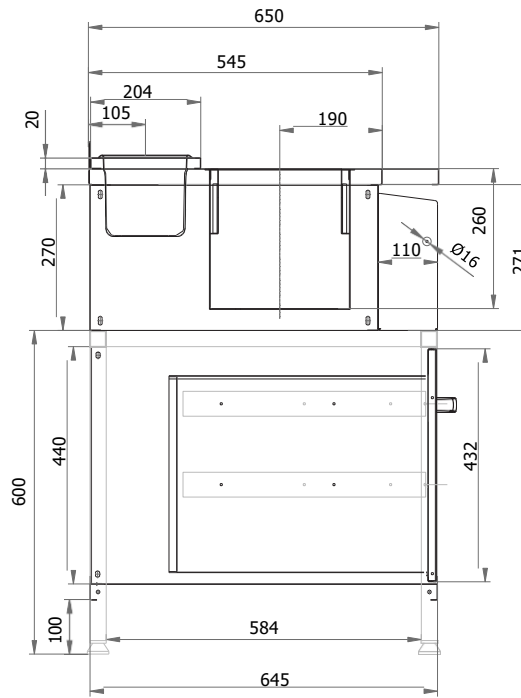
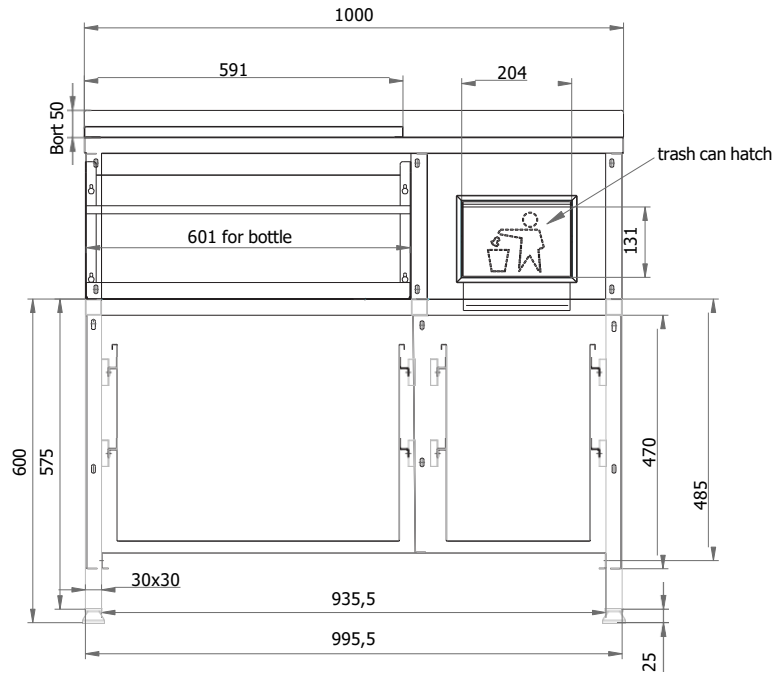


STANDARD LINE

BAR STATION (BMSL-3)



STANDARD LINE



BAR STATION (BMSL-3)

Stainless steel construction

Insulated ice well with dividers (554x288mm)

5 GN 1/9 trays for bar condiments

Front-mounted single speedrack for bottles

One neutral temperature drawer below for bottles

Sink (335x550mm)

Integrated glass rinser in the sink

Sliding plastic cutting board

Compartment for organic waste

Waste flap in front

One drawer for garbage bag

Rear upstand 50mm at the back

Dimension (mm): 1000x650x900

Price: 1309€*

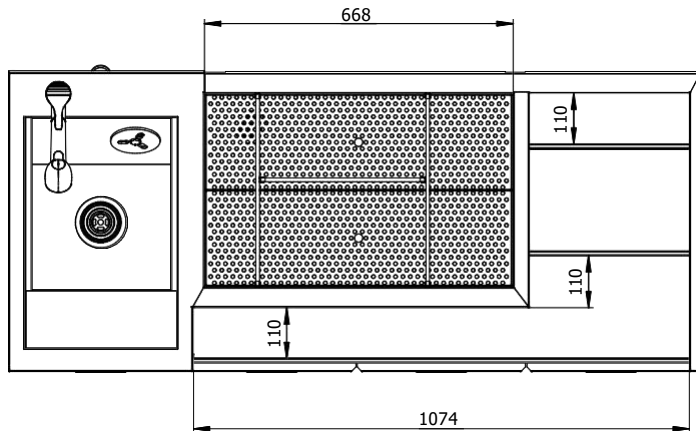
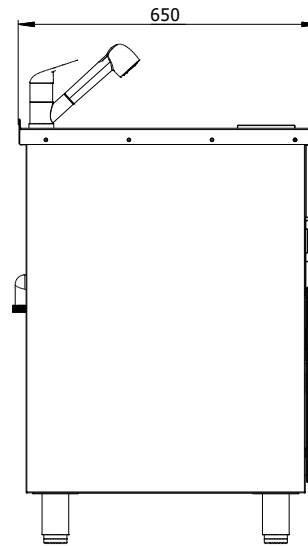
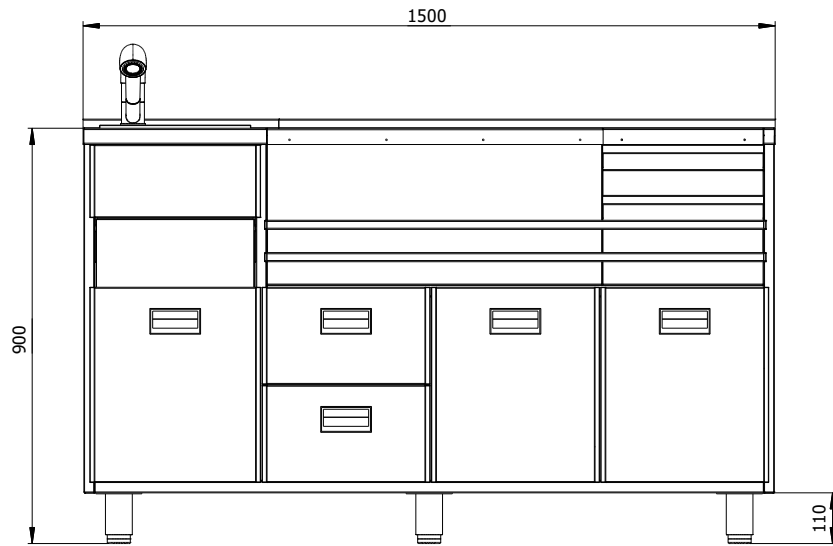
PROFESSIONAL LINE

BAR STATION (BMPR-1)



PROFESSIONAL LINE

BAR STATION (BMPR-1)



Stainless steel construction

Insulated ice well with dividers
(668x375mm)

4 GN 1/9 trays for bar condiments

Custom speedrack for bottles

Four neutral temperature drawers
below for bottles

Sink (330x500mm)

Integrated glass rinser in the sink

Sliding plastic cutting board

Compartment for organic waste

Waste flap in front

One drawer for garbage bag

Rear upstand 20mm at the back

Dimension (mm): 1500x650x900

Price: 3295€*

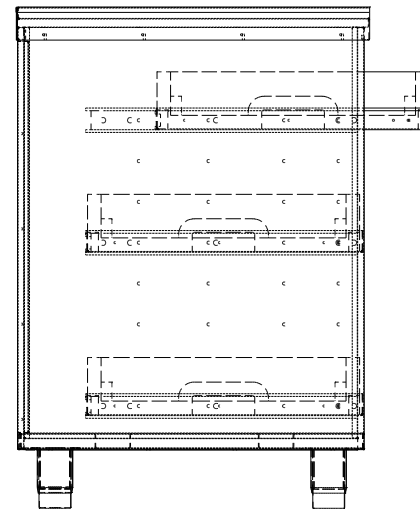
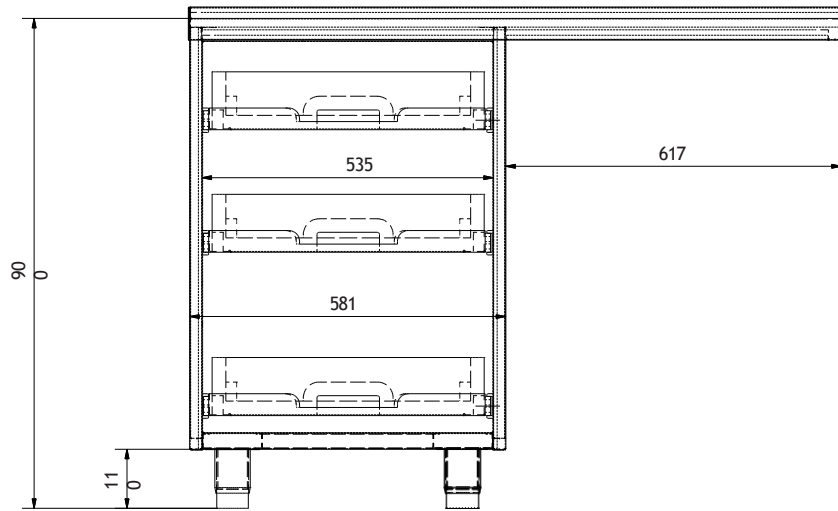
DISHWASHING STATIONS

DISHWASHING STATION WITH BASKET STORAGE (GF-12/065.DW3.B)



DISHWASHING STATIONS

DISHWASHING STATION WITH BASKET STORAGE (GF-12/065.DW3.B)



Stainless steel construction

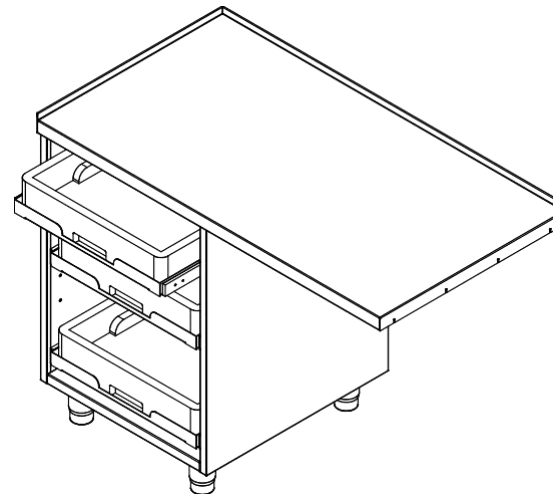
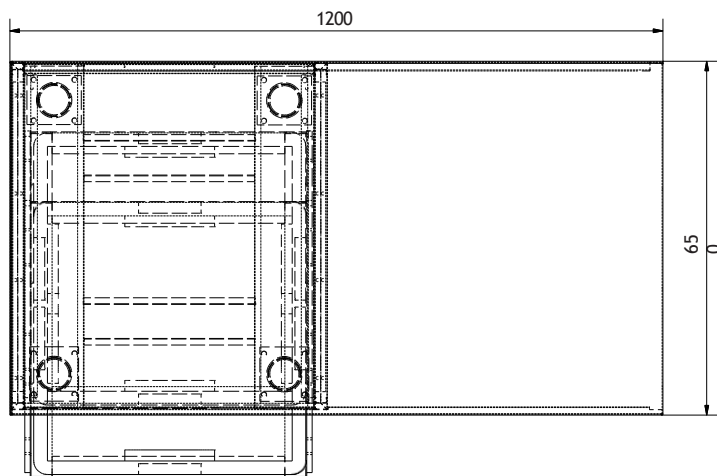
Three drawers for dishwashing basket storage

Free space for under-counter dishwasher

Rear upstand 20mm at the back

Dimension (mm): 1200x650x900mm

Price: 1134€*



PROFESSIONAL LINE

BAR STATION (BMPR-1)



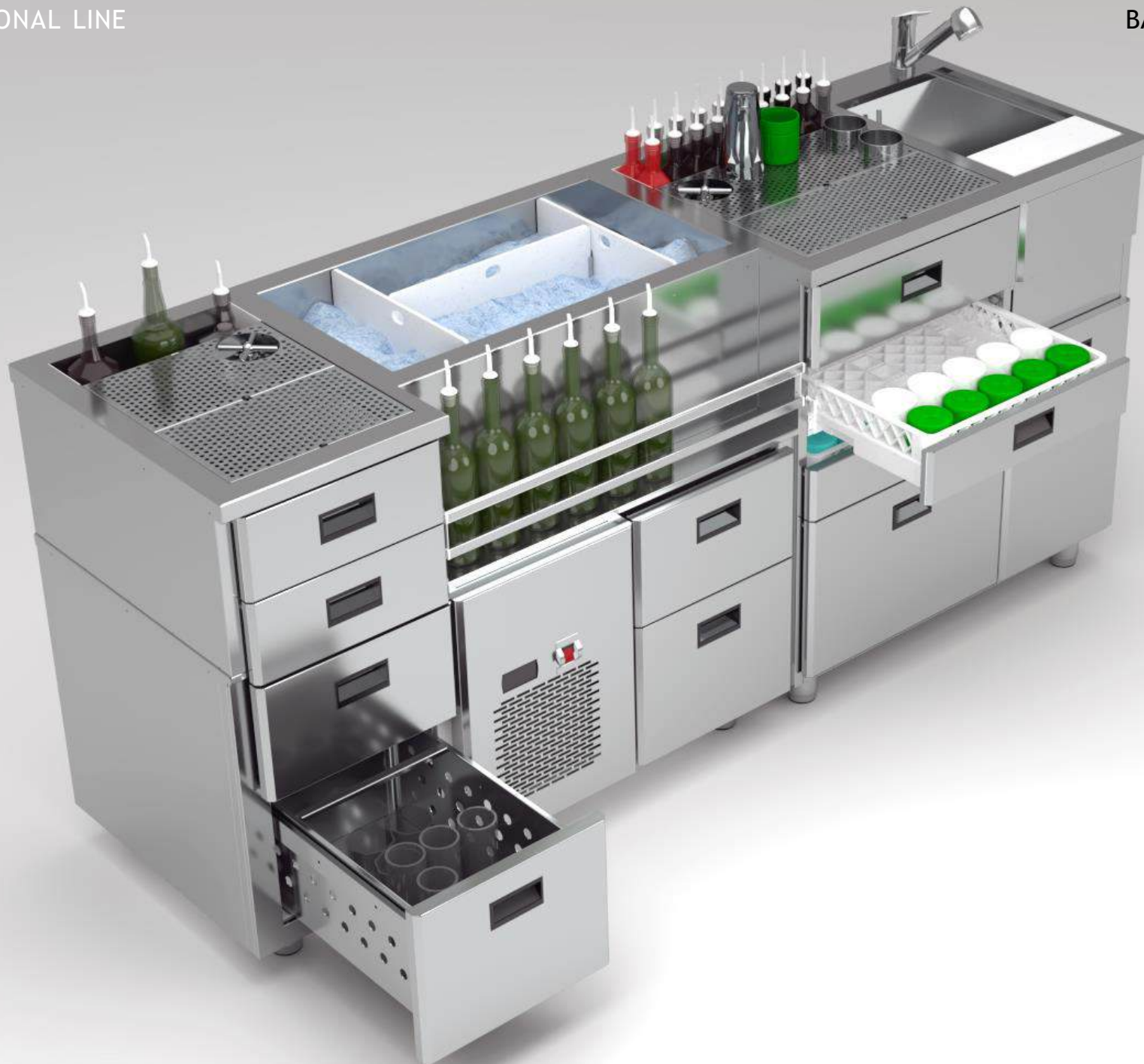
PROFESSIONAL LINE

BAR STATION (BMPR-1)



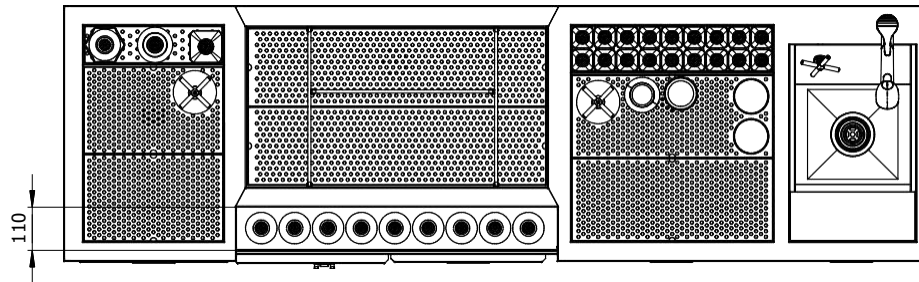
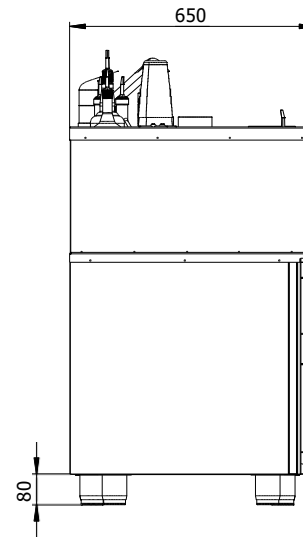
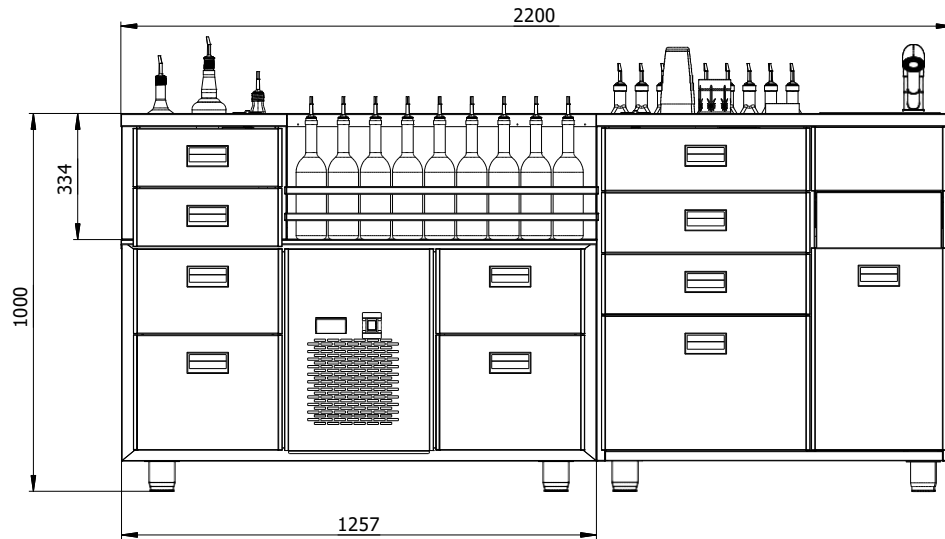
PROFESSIONAL LINE

BAR STATION (BMPR-2)



PROFESSIONAL LINE

BAR STATION (BMPR-2)



Stainless steel construction

Insulated ice well with dividers (668x375mm)

Integrated freezing table with 4 drawers

Front-mounted single speedrack for bottles

Two drip-tray sections with integrated space for bottles

Two neutral temperature drawers

Two integrated glass rinsers

Storage for glasswear

Sink (330x500mm)

Sliding plastic cutting board

Compartment for organic waste

Waste flap in front

One drawer for garbage bag

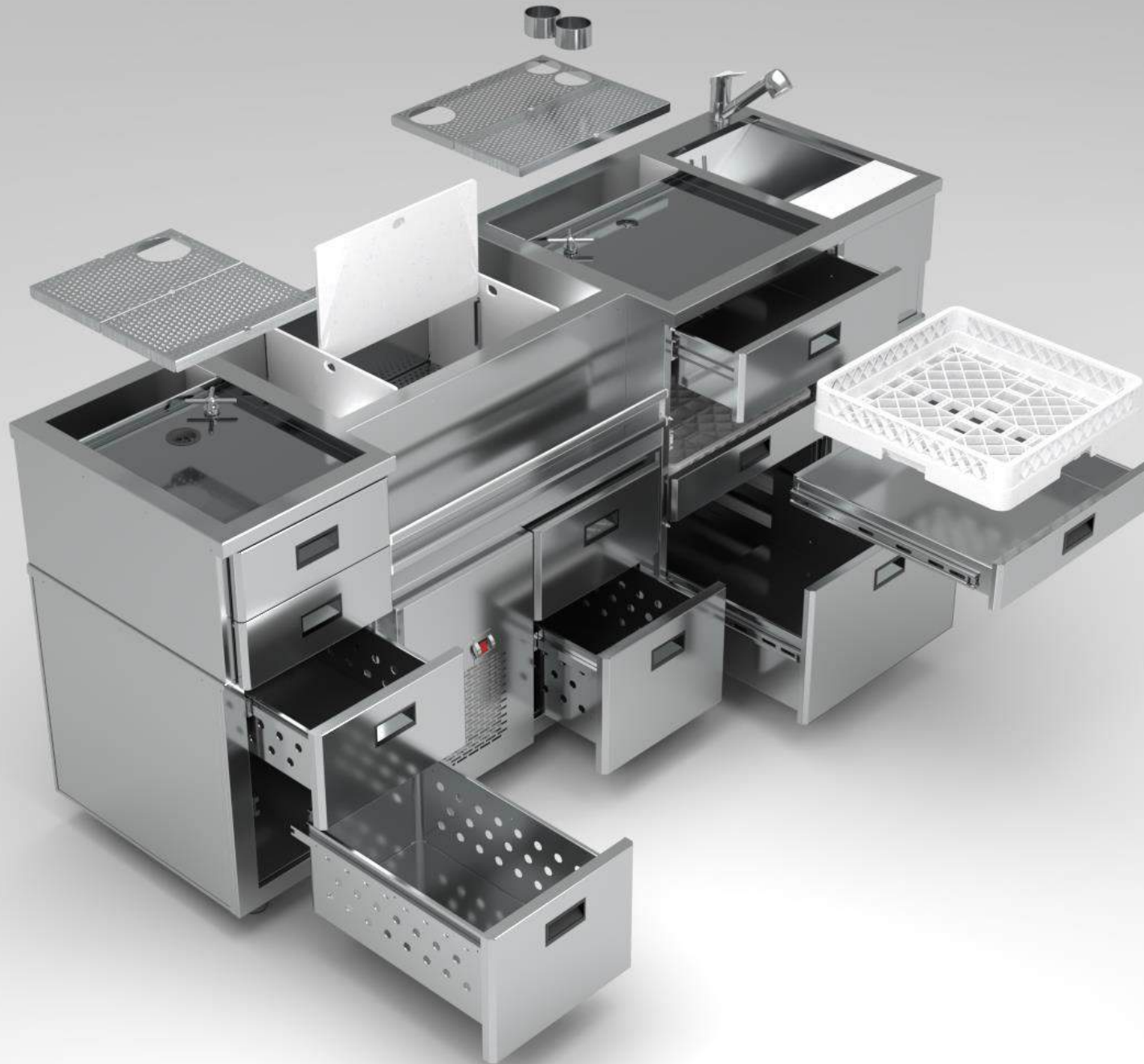
Rear upstand 20mm at the back

Dimension (mm): 2200x650x1000

Price: 8304€*

PROFESSIONAL LINE

BAR STATION (BMPR-2)

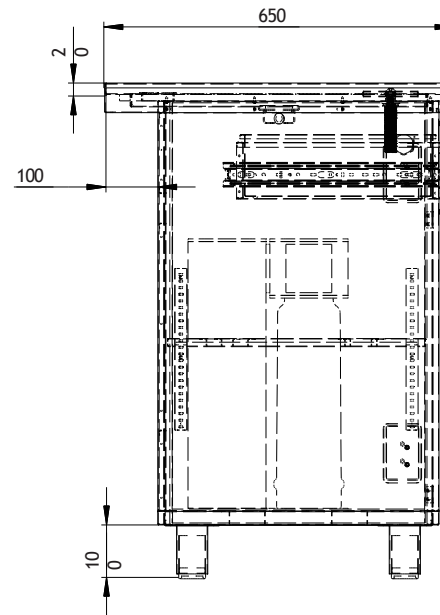
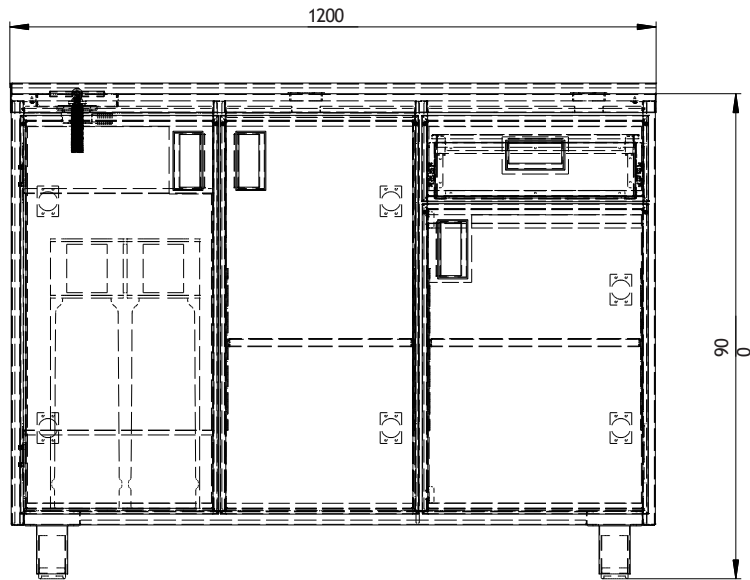


PROFESSIONAL LINE

COFFEE STATION (GDCF-12/065)



PROFESSIONAL LINE



COFFEE STATION (GDCF-12/065)

Stainless steel construction

Coffee knock box

Two hinged doors

Drip tray with integrated glass rinser

Compartment for garbage

Rear upstand 20mm at the back

Dimension (mm): 1200x650x1000

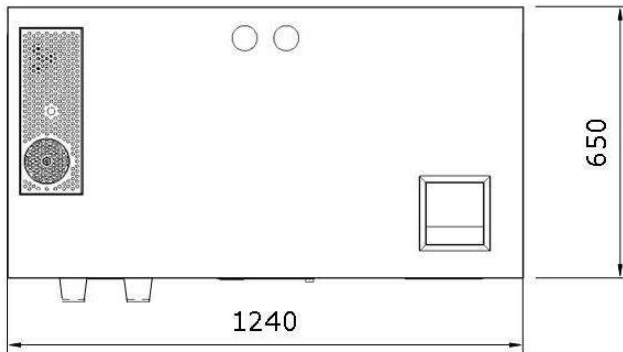
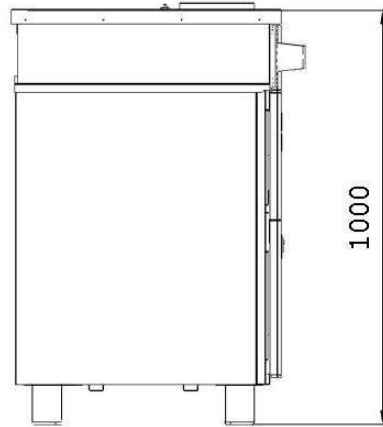
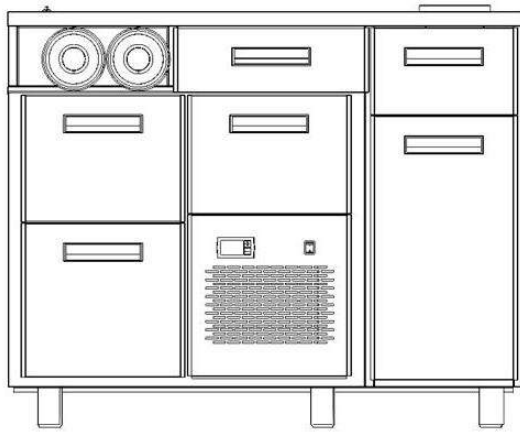
Price: 1657€*

PROFESSIONAL LINE

COFFEE STATION (GDCF2-12/065)



PROFESSIONAL LINE



COFFEE STATION (GDCF2-12/065)

Stainless steel construction

Coffee knock box

Two cup dispensers

Drip tray with integrated glass rinser

Integrated milk cooler

2 drawers with Slide-in box for bottles

Dimension (mm): 1240x650x1000

Price: 3419€*

CUSTOM LINE

BAR STATION (BMCL-29)



Stainless steel construction

Insulated ice well with modular hexagon-style dividers

Four narrow drip-tray sections integrated into the tabletop

Two sinks with integrated glass rinsers

Sliding plastic cutting boards built into the sinks

Compartment for organic waste

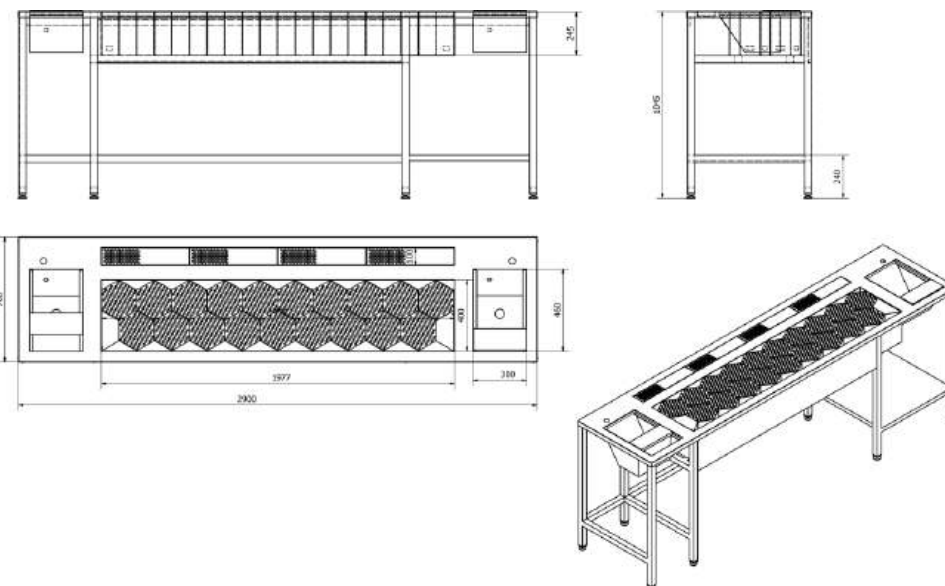
Waste flap in front

One drawer for a garbage bag

Dimension (mm): 2900x700x1000

Customisable size and design for your unique bar setup

Price: 5044€*



ALL PRICES IN EUR (EXW RIGA)*

CUSTOM LINE



BAR STATION (BMCL-13)

Stainless steel construction

Insulated ice well with modular hexagon-style dividers

Four narrow drip-tray sections integrated into the tabletop

Two sinks with integrated glass rinsers

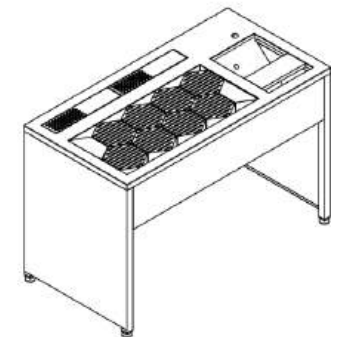
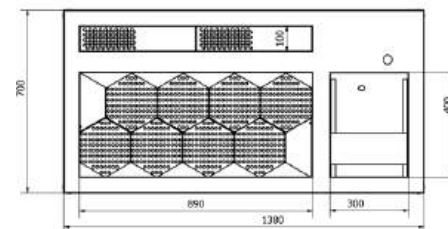
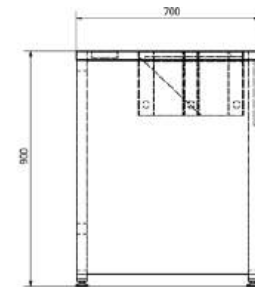
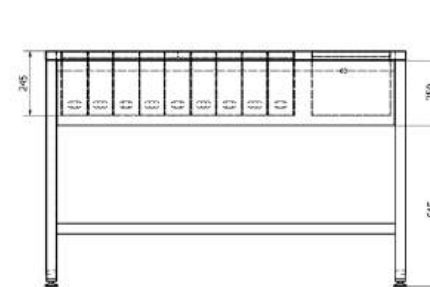
Sliding plastic cutting board built into the sink

Compartment for organic waste

Dimension (mm): 1380x700x1000

Customisable size and design for your unique bar setup

Price: 3422€*



DISHWASHING STATIONS

DISHWASHING STATION WITH SINK (GD-12/065.S45.UE.B)

Stainless steel construction with door

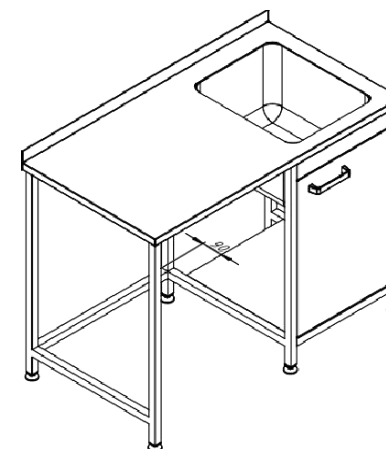
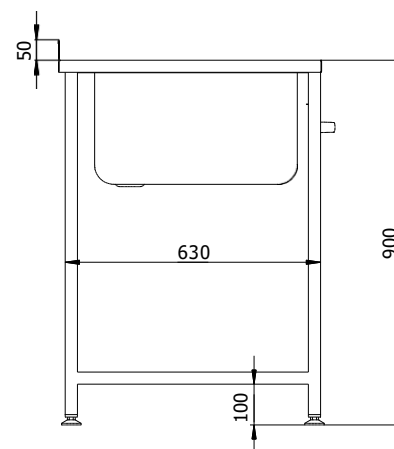
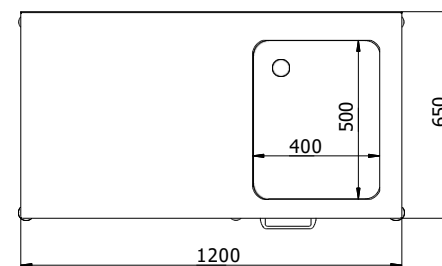
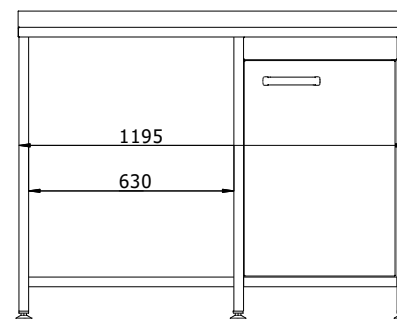
Sink 400x500mm

Free space for under-counter
dishwasher

Rear upstand 50mm at the back

Dimension (mm): 1200x650x900mm

Price: 525€*



ALL PRICES IN EUR (EXW RIGA)*

DISHWASHING STATIONS



DISHWASHING STATION WITH BASKET STORAGE

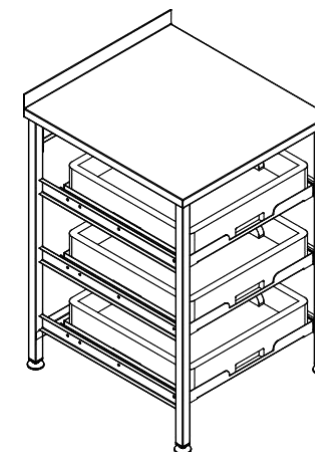
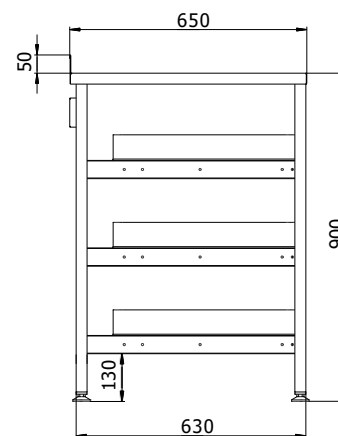
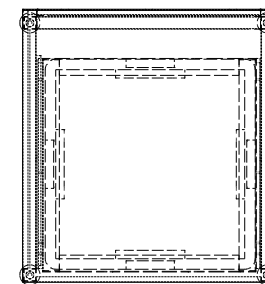
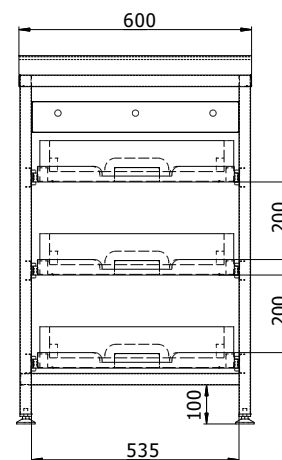
Stainless steel construction with door

Three drawers for dishwashing basket storage

Rear upstand 50mm at the back

Dimension (mm): 600x650x900mm

Price: 609€*



ALL PRICES IN EUR (EXW RIGA)*

COOLING EQUIPMENT

BAR STATION COOLING TABLES

Stainless steel construction

Cassette type monobloc (R290)

Temp. +2 to +6 degrees C

Doors and drawers compatible with standard bottle sizes

Rear upstand 50mm at the back



ALL PRICES IN EUR (EXW RIGA)*

ADDITIONAL EQUIPMENT

TABLE WITH INTEGRATED DRIP-TRAY

Stainless steel construction

Integrated drip-tray

Free space for undercounter equipment

Rear upstand 50mm at the back

Available sizes (mm)

Price*

GP-06/065.B - 600x650x900mm

374€

GP-07/065.B - 700x650x900mm

435€

GP-08/065.B - 800x650x900mm

497€

GP-09/065.B - 900x650x900mm

560€

GP-10/065.B - 1000x650x900mm

622€

GP-11/065.B - 1100x650x900mm

685€

GP-12/065.B - 1200x650x900mm

748€

Corner module

GP-065/065.2B - 650x650x900mm

435 €



ALL PRICES IN EUR (EXW RIGA)*

ADDITIONAL EQUIPMENT



NEUTRAL DRAWER STATION

Stainless steel construction

Three neutral drawers

Rear upstand 50mm at the back

Dimension (mm): 600x650x900mm

Available sizes (mm)

Price*

GF-04/065.DW3.B - 400x650x900

827€

GF-05/065.DW3.B - 500x650x900

840€

GF-06/065.DW3.B - 600x650x900

853€

GF-07/065.DW3.B - 700x650x900

865€

GF-08/065.DW3.B - 800x650x900

878€

ADDITIONAL EQUIPMENT



SINK STATION (GF-04/065.S23.SH.B)

Stainless steel construction

Sink (240x300mm)

Smooth bottom shelf

Rear upstand 50mm at the back

Dimension (mm): 400x650x900mm

Price: 441€*

ADDITIONAL EQUIPMENT



NEUTRAL TABLE WITH SHELF

Stainless steel construction

Smooth bottom shelf

Rear upstand 50mm at the back

Available sizes (mm)	Price*
GF-04/065.SH.B - 400x650x900	461€
GF-05/065.SH.B - 500x650x900	481€
GF-06/065.SH.B - 600x650x900	503€
GF-07/065.SH.B - 700x650x900	524€
GF-08/065.SH.B - 800x650x900	547€
GF-09/065.SH.B - 900x650x900	567€
GF-10/065.SH.B - 1000x650x900	589€
GF-11/065.SH.B - 1100x650x900	609€
GF-12/065.SH.B - 1200x650x900	633€

ADDITIONAL EQUIPMENT



NEUTRAL TABLE WITH HINGED DOORS

Stainless steel construction

Additional smooth inside shelf

Rear upstand 50mm at the back

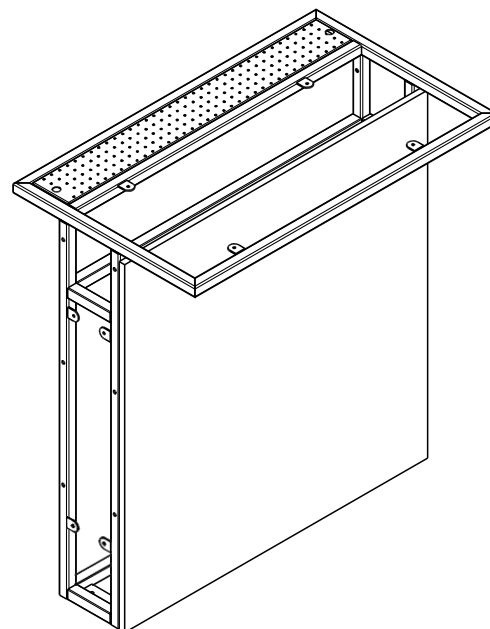
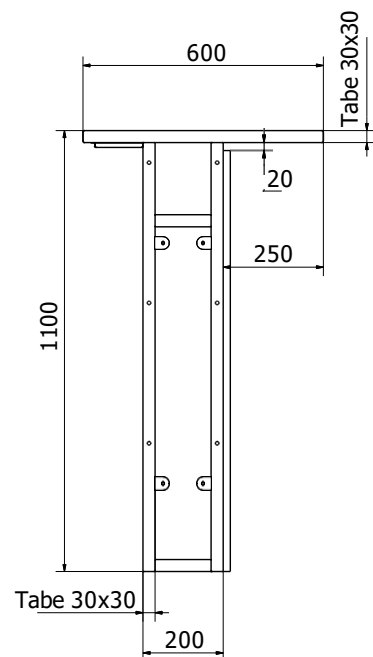
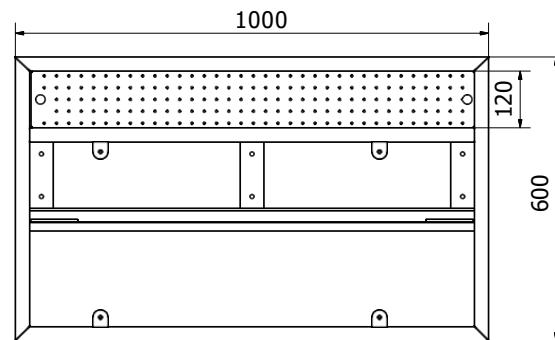
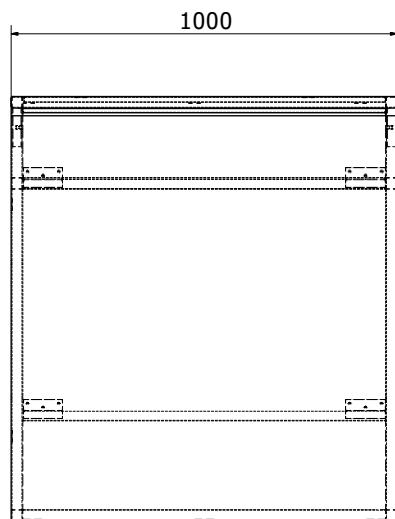
Available sizes (mm)	Price*
GD-04/065.B - 400x650x900	703€
GD-05/065.B - 500x650x900	752€
GD-06/065.B - 600x650x900	801€
GD-07/065.B - 700x650x900	849€
GD-08/065.B - 800x650x900	897€
GD-09/065.B - 900x650x900	947€
GD-10/065.B - 1000x650x900	1005€
GD-11/065.B - 1100x650x900	1054€
GD-12/065.B - 1200x650x900	1103€

ADDITIONAL EQUIPMENT

MODULAR BAR COUNTER FRAME



ADDITIONAL EQUIPMENT



MODULAR BAR COUNTER FRAME

Stainless steel construction

Floor fixings

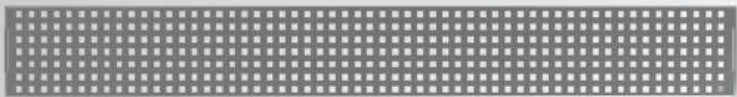
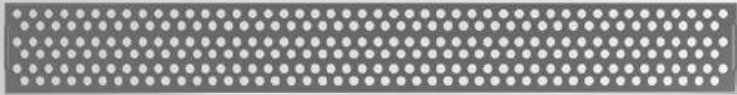
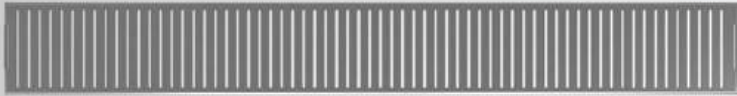
Integrated drip tray

Available sizes (mm)	Price*
BS-500	219€
BS-600	273€
BS-700	319€
BS-800	364€
BS-900	402€
BS-1000	447€

Corner module

BS-CR	364€
-------	------

ACCESSORIES



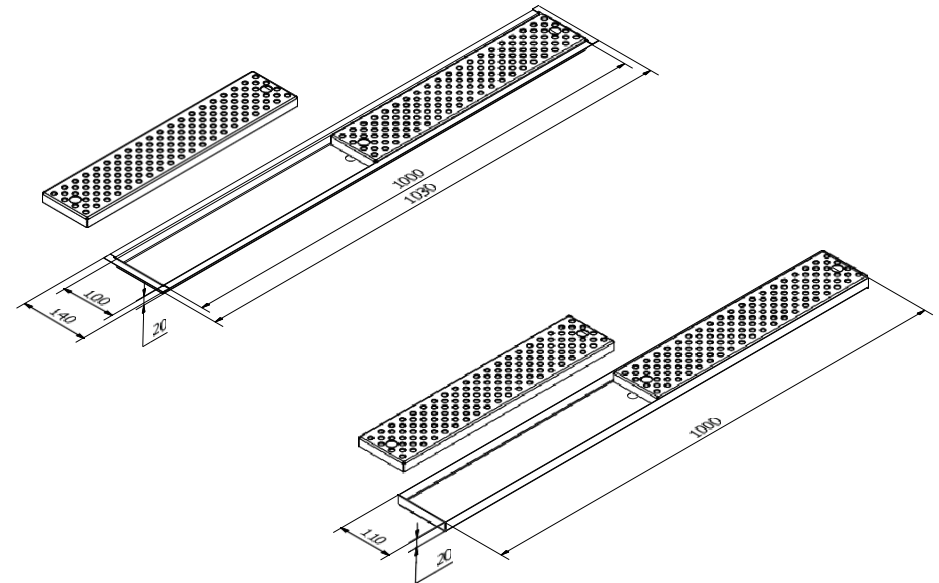
DRIP TRAYS

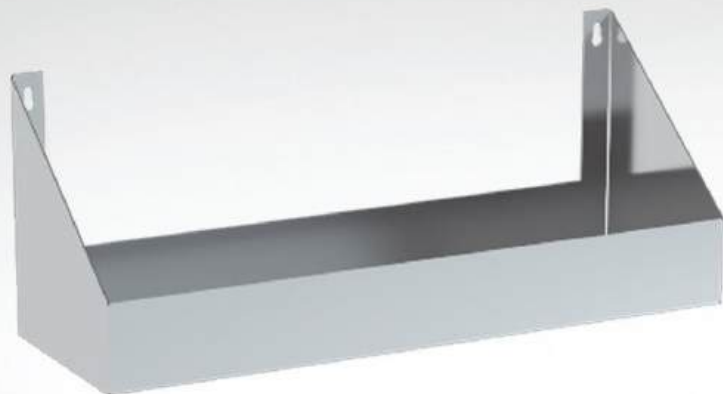
3 different cutout patterns

Possibility to custom order your own logo cutouts

Optional supports for fixing drip tray to the bar counter

Available sizes (mm)	Price*
BT-04/01 - 400x100	73€
BT-05/01 - 500x100	91€
BT-06/01 - 600x100	109€
BT-06/01 - 700x100	128€
BT-08/01 - 800x100	147€
BT-09/01 - 900x100	164€
BT-10/01 - 1000x100	182€





 Stainless steel construction

 Single and double row versions

 Front mounted

Available length sizes (mm)
Price*
Single row

 SR1-04/01 - 400mm

65€

 SR1-06/01 - 600mm

91€

 SR1-08/01 - 800mm

113€

 SR1-10/01 - 800mm

141€

 SR1-12/01 - 1000mm

169€
Double row

 SR2-04/01 - 400mm

73€

 SR2-06/01 - 600mm

109€

 SR2-08/01 - 800mm

147€

 SR2-10/01 - 800mm

182€

 SR2-12/01 - 1000mm

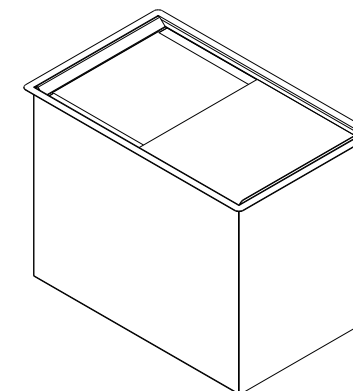
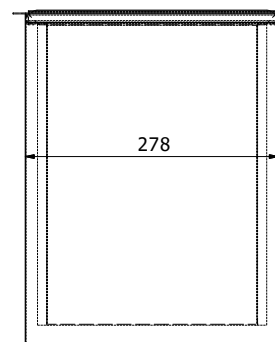
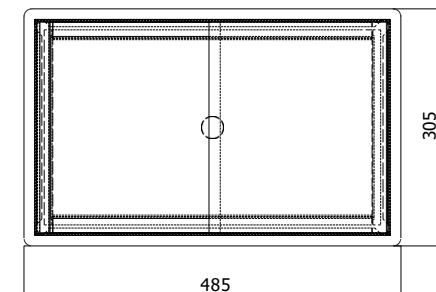
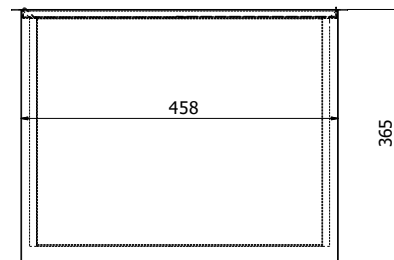
219€

Stainless steel construction with insulation

Sliding lid

Dimensions: 485x305x365mm

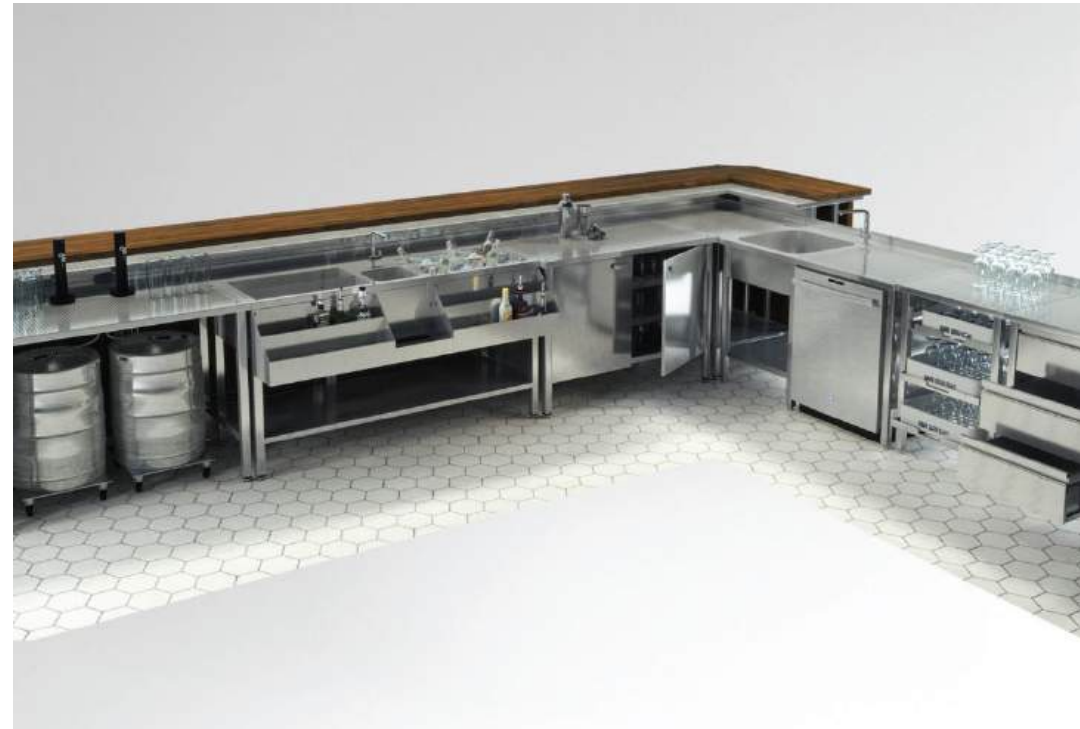
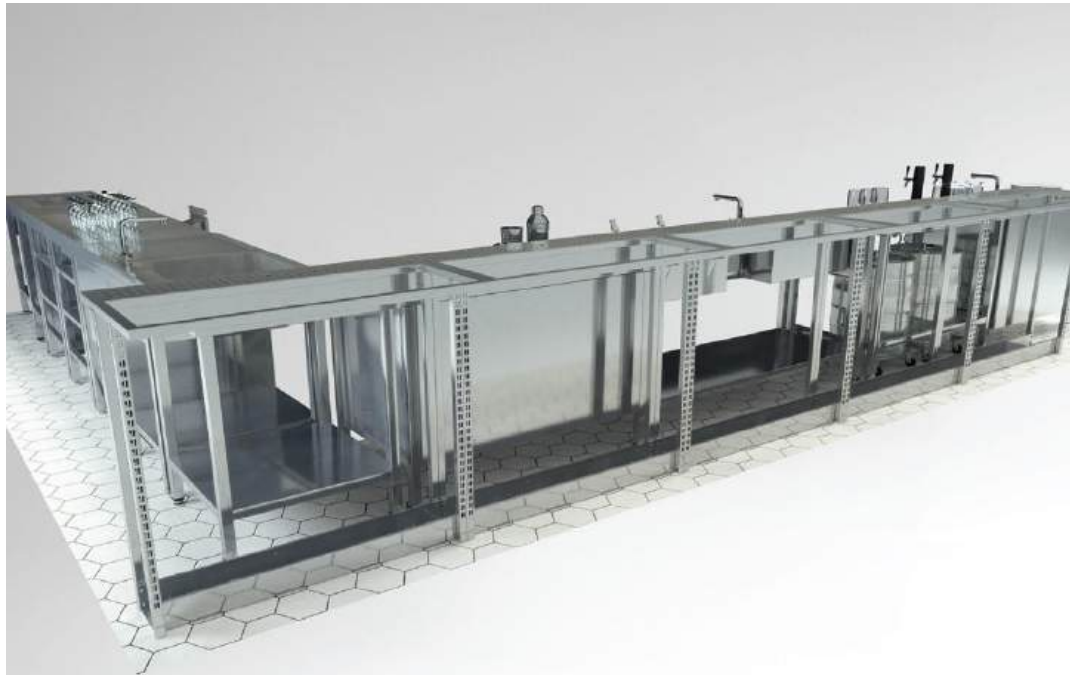
Price: 321€*



EXAMPLES



EQUIPMENT COMBINATIONS





VITRUM GROUP

konsultants@vitrum.lv

(+371) 67802395

Jauna Ligo iela 31 Bergi,
LV-1024, Latvia

www.vitrum.lv