

# FREEBLOCK<sup>5.0</sup>

Steel Italian Tailoring<sup>®</sup>



EN



ITALIAN CULINARY ART



Buy Lotus Buy Italy!  
Italian nature, culture, work

DOLOMITES



VENICE



PROSECCO

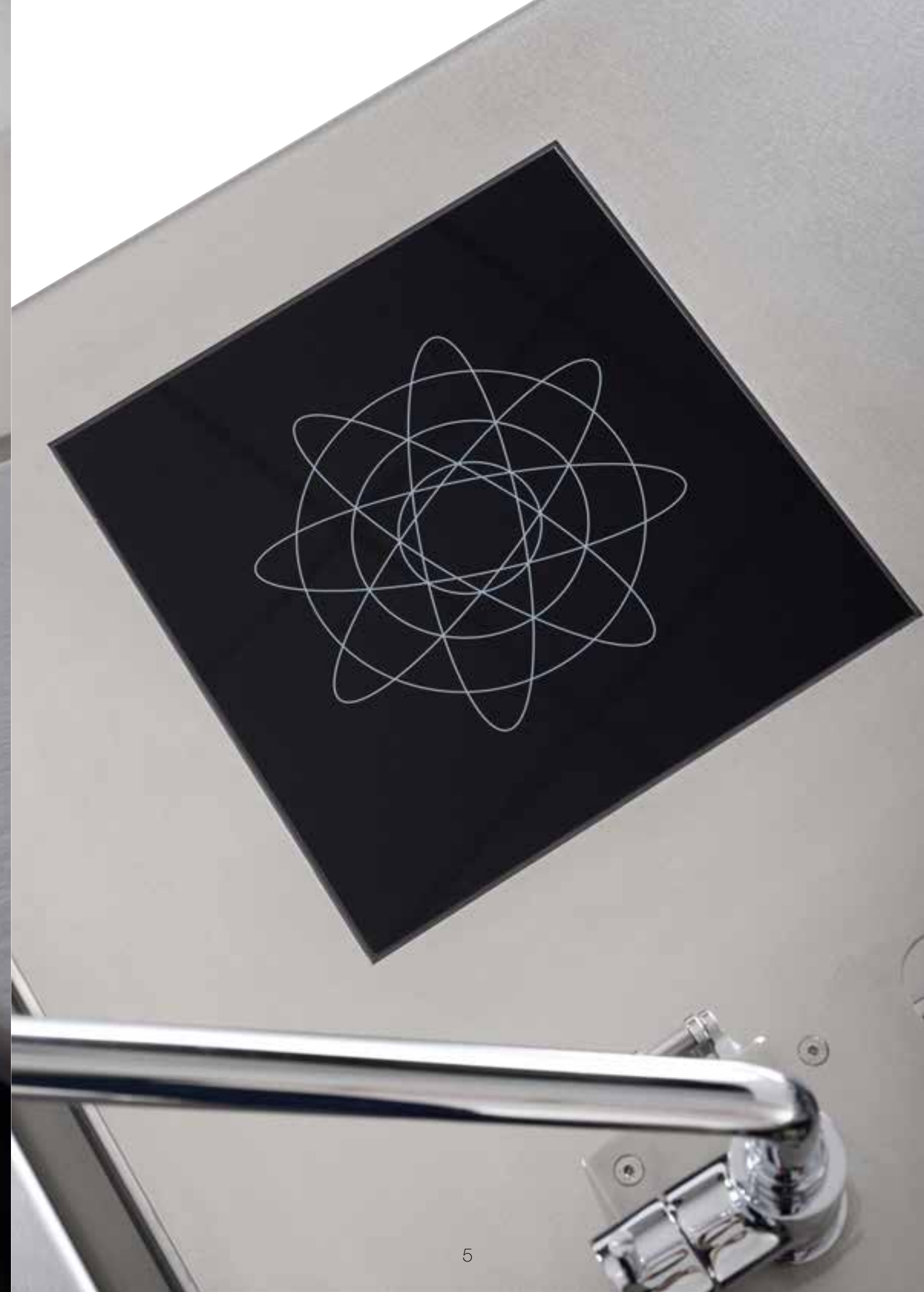


PALLADIO





Ad maiora semper  
Feel-good sturdiness





# IN CULINARY ART



## Steel Italian Tailoring®

Your space tailored  
to your requirements

Steel tailoring® is the **philosophy** of Lotus SpA production which helps you to create the monoblock work area of your dreams, tailored to provide maximum comfort like a made-to-measure garment. A philosophy that combines the ability to listen, service, efficiency and technology.

Your dreams and requirements come true.

Lotus focuses on your strengths and expertise because if you work well it benefits your customers, your employees and you.

This catalogue is for you; it is pared down to encourage you to tell us what you want and is intended simply to be a calling card.

Steel tailoring is meant to be a team effort, free from pre-configured projects, with the support of our resources which are geared towards responding to the desires of a customer who is looking for the very best.

Which is why what we create will be more than just a one-of-a-kind monoblock, it will be yours.

Why 5.0? Industry 5.0 is the new industrial revolution in which man and machine are reconciled and find a way to work together to improve the means and efficiency of production.

Lotus Spa has already adopted this spirit in its work ethic and our sales force is steel Italian tailoring!





# ITALIAN CULINARY ART



## Steel Italian Tailoring®

Your space tailored to your requirements

Steel tailoring® is the **philosophy** of Lotus SpA production which helps you to create the monoblock work area of your dreams, tailored to provide maximum comfort like a made-to-measure garment. A philosophy that combines the ability to listen, service, efficiency and technology.

Your dreams and requirements come true.

Lotus focuses on your strengths and expertise because if you work well it benefits your customers, your employees and you.

This catalogue is for you; it is pared down to encourage you to tell us what you want and is intended simply to be a calling card.

Steel tailoring is meant to be a team effort, free from pre-configured projects, with the support of our resources which are geared towards responding to the desires of a customer who is looking for the very best.

Which is why what we create will be more than just a one-of-a-kind monoblock, it will be yours.

Why 5.0? Industry 5.0 is the new industrial revolution in which man and machine are reconciled and find a way to work together to improve the means and efficiency of production.

Lotus Spa has already adopted this spirit in its work ethic and our sales force is steel Italian tailoring!

# FREEBL<sup>5.0</sup>OCK



# FREEBLOCK<sup>5.0</sup>



## State-of-the-art details

Flush-fit seams,  
joints and steel tops!

**Only** the worktop is a single piece, **all the rest** is the result of the expert combination of open and closed sections, taps and knobs, burners and plates, induction and steam, hatches and drawers, hot and cooled, poetry and imagination, technology and safety, requirements and expectations.

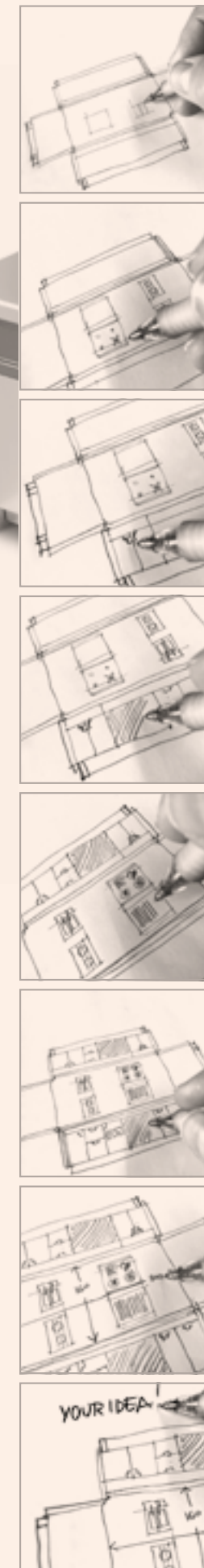




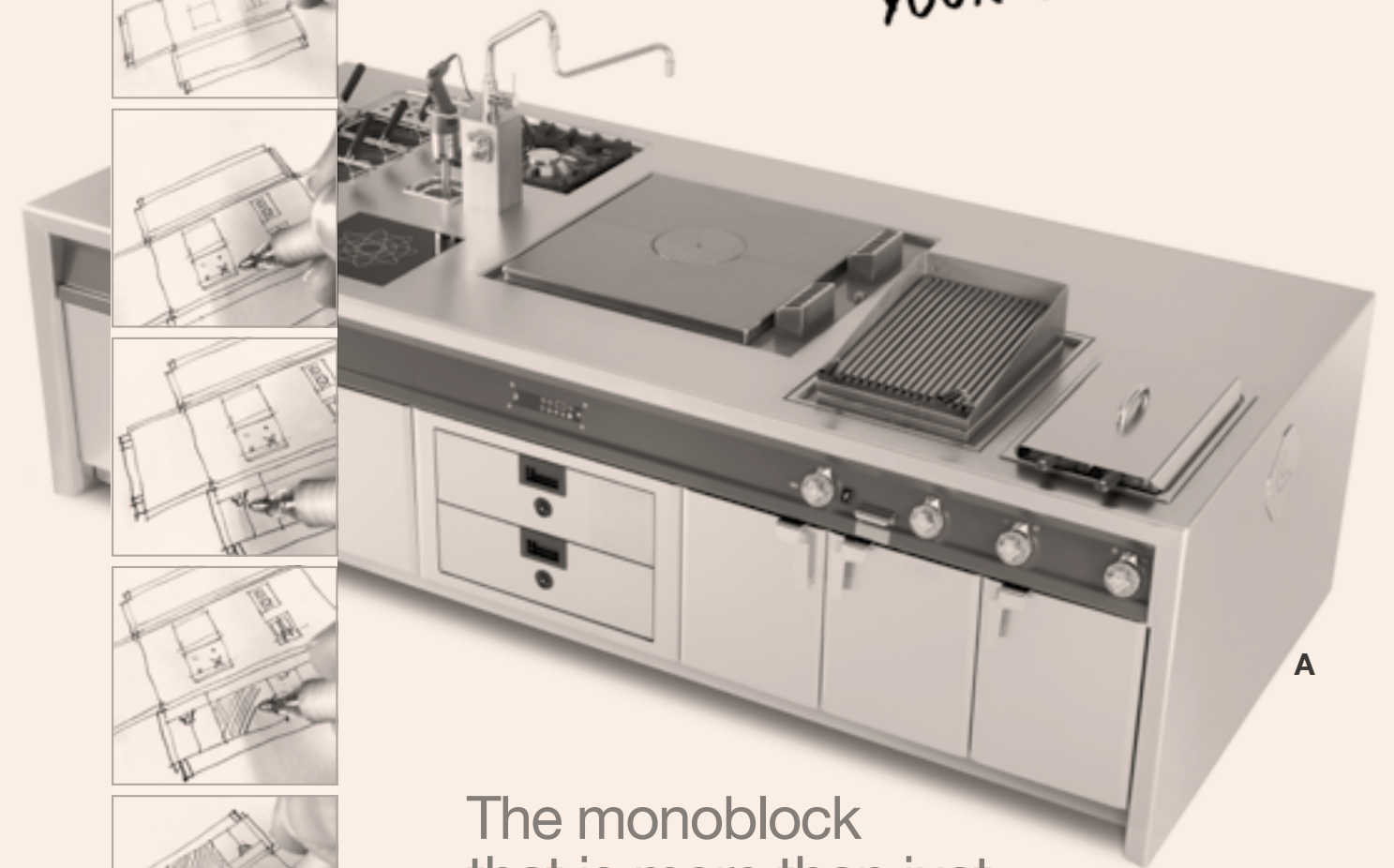




LOTUS



FREEBLOCK<sup>5.0</sup> YOUR IDEA!

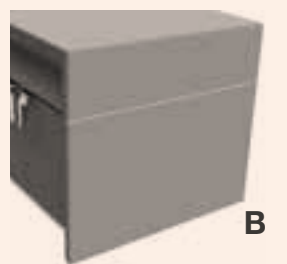


The monoblock that is more than just one-of-a-kind.

Every **Freeblock 5.0** and **Freeblock monoblock** is manufactured to combine emotion and rationality, prestige and reliability, efficiency and personality.

**The worktop is always a single piece**, designed to house the customer's own service configuration.

**Reliable** just like the owner, it helps solve any cooking requirement day by day and can be installed in "inaccessible" places (even without welding: a single block that can be assembled and dismantled piece by piece, **B** and **C**).



LOTUS

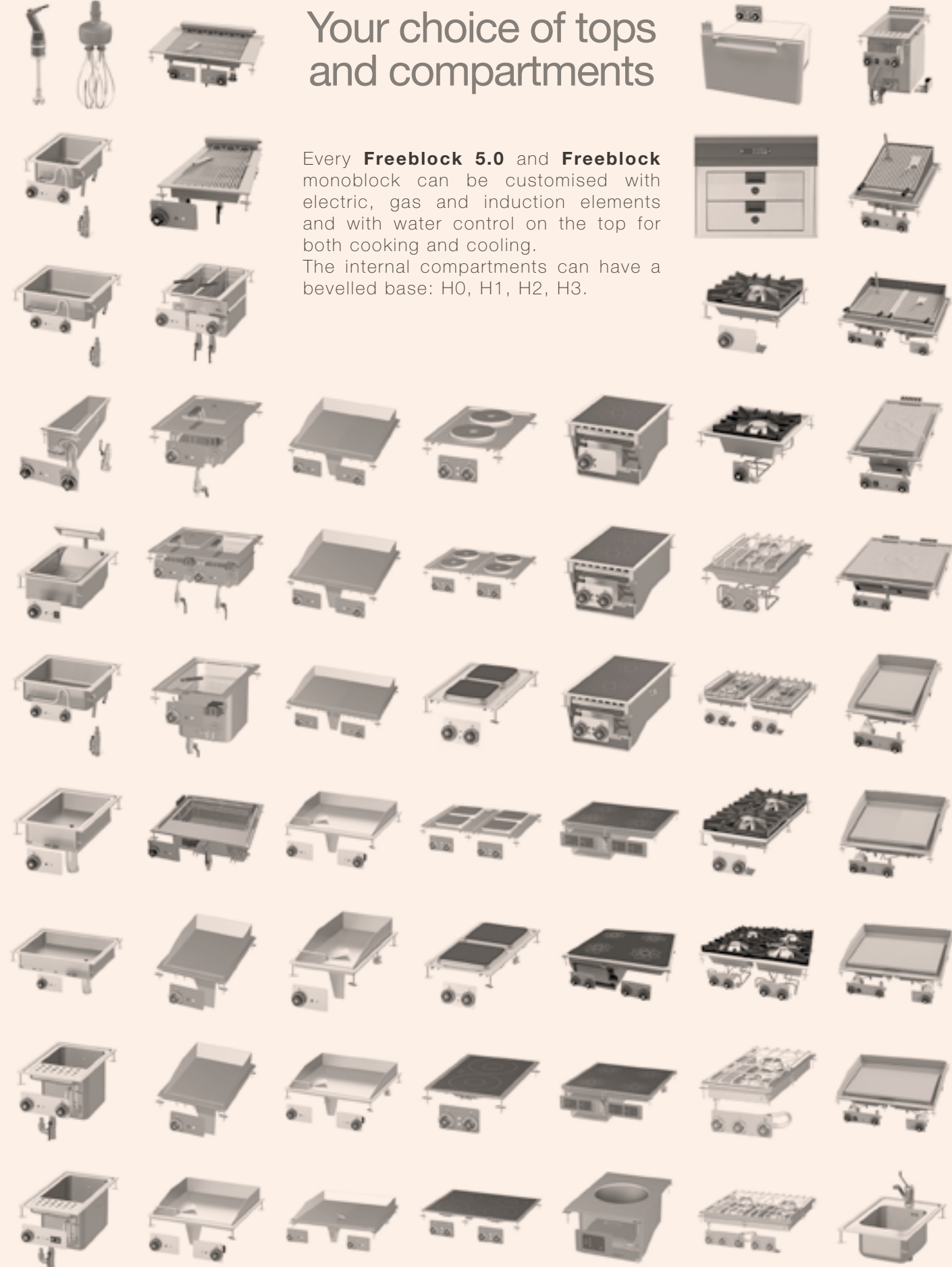




# FREEBLOCK 5.0

## Your choice of tops and compartments

Every **Freeblock 5.0** and **Freeblock monoblock** can be customised with electric, gas and induction elements and with water control on the top for both cooking and cooling. The internal compartments can have a bevelled base: H0, H1, H2, H3.



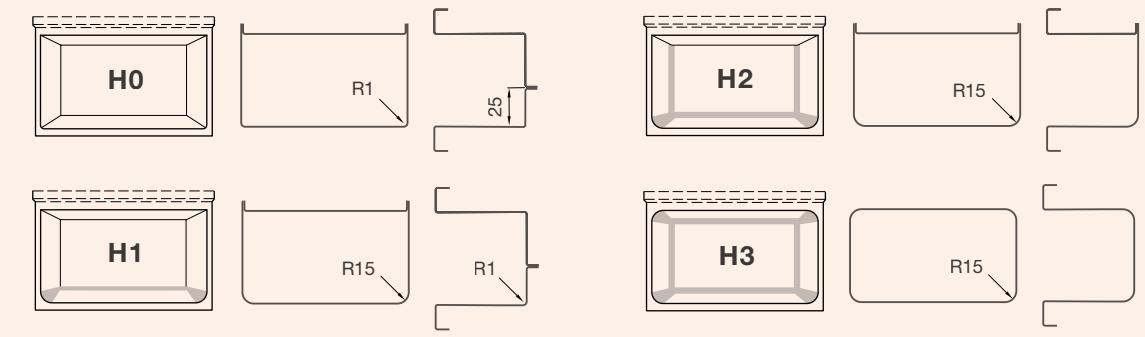
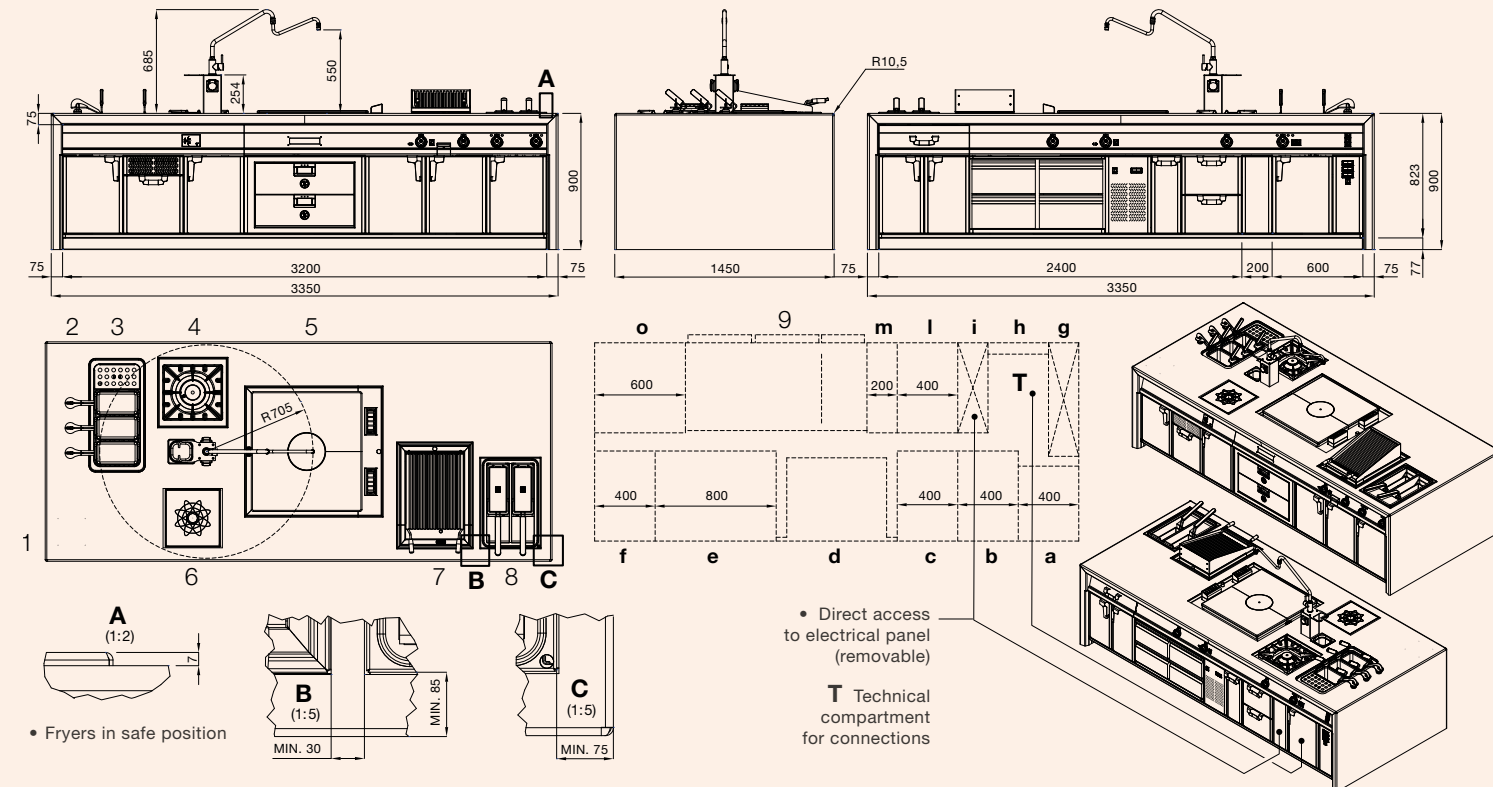
## Details and fittings

### Construction details

- 3-mm thick top, reinforced with crossbeams, secured by screws.
- Fully load-bearing structure and frame.
- Seamless monoblock, assembled with stainless steel screws and nuts. It can be transported with a few simple steps and assembled on-site.
- Built-in elements to install with silicone or welded to the top.
- Installation of induction models with siliconized glass on the top with no interference from the frame.
- Fully welded, honey-comb core doors, reinforced internally with high-density polystyrene.
- Designer handles
- Technical compartment for easy inspection of the electric box containing all the connections.
- Dimensions as required, minimum measurement: cm120x75x90h.
- 150 elements to combine for freedom of choice.

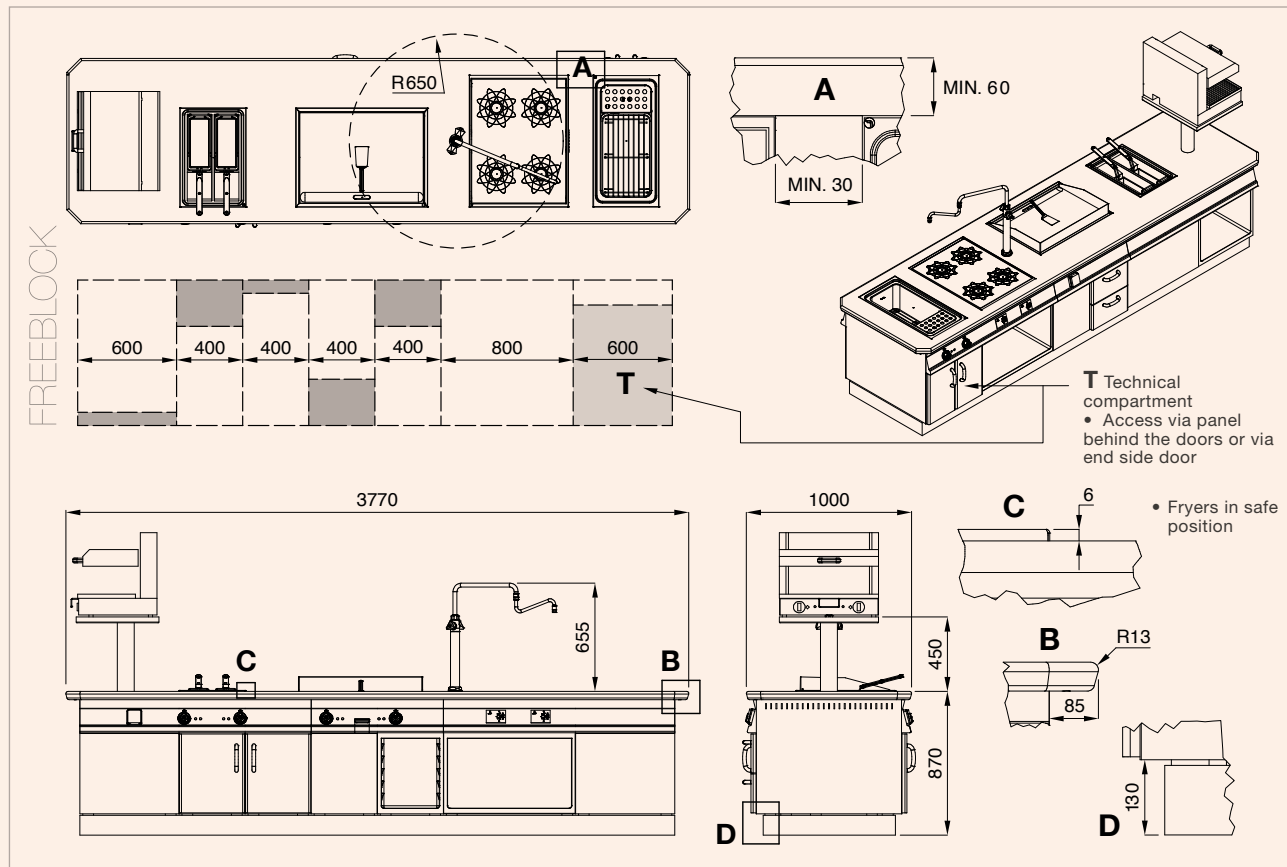
### Possible fittings

- Central column with mixer tap, electric sockets and mixer stop.
- Optional gas elements: burners, griddle, solid plate, lava stone grill, pasta cooker.
- Innovative installation method TP (Solid top), CW (Lava stone), FT (Griddle) with continuous water jet on the top (gas models only).
- Under-top compartments compliant with hygiene standards H0, H1, H2, H3, fully removable and separated.
- Compartments with LED strip lighting which is activated when the door is opened by an "infrared" sensor.
- Drawers and doors with soft-close mechanism.
- Can be completed with refrigerated bases, holding cabinets, ovens and built-in blast chillers, etc.





# FREEBLOCK 5.0 & FREEBLOCK



## Freeblock 5.0 & Freeblock

**Freeblock 5.0** and **Freeblock** monoblocks have everything in common except the design and exceptional customisation possibilities. You have the freedom to decide the colour, power, accessories and costs. **Lotus Spa: steel italian tailoring, at home in the world!**

Buy Lotus Buy Italy!



## Control centre

One easily-accessible unit







FREEBLOCK 5.0



لوتس





LOTUS









# State-of-the-art details at work



Locanda Chiaravalle - Milan



Galatea restaurant - Czech Republic



Holiday Inn airport  
Eindhoven  
The Netherlands

Holiday Inn

Taverna Trilussa - Rome





FREEBLOCK<sup>5.0</sup>

## Steel Italian Tailoring®



Lotus Spa is a company defined by the quality of its relations, always listening directly to every single customer.

Giorgio Dal Pos is the company's founder and Alan Dal Pos the operating arm, along with partners and a dedicated workforce who approach every order as if it were their first project.

Come and meet us. We look forward to seeing you at Zoppè di San Vendemiano in the Veneto region, between Venezia and the Dolomites.



LOTUS<sup>®</sup>  
ITALIAN CULINARY ART





FREEBLOCK<sup>5.0</sup>

LOTUS

Steel Italian Tailoring<sup>®</sup>





**LOTUS**<sup>®</sup>  
ITALIAN CULINARY ART

BUY LOTUS BUY **ITALY**

**LOTUS SpA** - Via Calmaor, 46 - 31020 San Vendemiano (TV) - ITALY  
T +39 0438 778020 - [lotus@lotuscookers.it](mailto:lotus@lotuscookers.it) - [www.lotuscookers.it](http://www.lotuscookers.it)

